

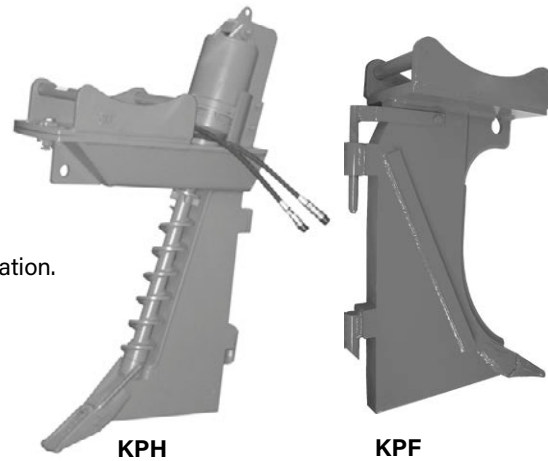
Cable Ploughs and Tube Layer 3-12t / 6,600-26,400lbs

KPF / KPH / KPL

The Cable Ploughs are efficient tools to drill channels for cables or hoses. Depending on the type, the plough is suitable for excavators with up to 12t / 26,400lbs operating weight.

The ploughs are available as mechanical (KPF) and hydraulic (KPH) version.

- ▷ **Solid Design:** very robust without protruding parts.
- ▷ **Robust:** also drills hard soil.
- ▷ **Plough kinematics:** easy plowing, even through roots and other vegetation.
- ▷ **Easy installation** onto the carrier machine.
- ▷ **Different widths** available.
- ▷ **One work step:** opening for positioning of cables or hoses in the channel saves time.
- ▷ **Safety:** better balance between plough and carrier.
- ▷ **KPH:** incl. hydraulic auger.
- ▷ **Optional:** KPL tube layer incl. cable drum mountable.



Cable Ploughs KPF / KPH and Tube Layer KPL

Type	Lower plough width (mm/in)	Height (mm/in)	Weight (kg/lbs)	Operating weight (t/lbs)
KPF 06	50 / 1.9	650 / 25.5	180 / 396	3-6 / 6,600-13,200
KPF 10	50 / 1.9	1,000 / 39.3	220 / 484	6-10 / 13,200-22,000
KPH 12	70 / 2.7	1,000 / 39.3	250 / 550	11-12 / 24,200-26,400
KPL 01	30 / 1.1	650 / 25.5	50 / 110	-
KPL 02	30 / 1.1	1,000 / 39.3	60 / 132	-
KPL 03	40 / 1.5	1,000 / 39.3	65 / 143	-
KPL 04	50 / 1.9	1,000 / 39.3	70 / 154	-
KPL 05	60 / 2.3	1,000 / 39.3	75 / 165	-
KPL 06	70 / 2.7	1,000 / 39.3	95 / 209	-
KPL 07	95 / 3.7	1,000 / 39.3	115 / 253	-
KPL 08	120 / 4.7	1,000 / 39.3	140 / 308	-

Package consists of: cable plough or tube layer (KPL incl. support for marker tape)

Accessories

Type	Description
KST 09	support for marker tape at tube layer
KST 12	wire rope between cable plough and carrier machine - length 4,500mm/177.1in
KM 690 8t	adapter for rigid mounting - up to 8t/17,600lbs
KM 690 15t	adapter for rigid mounting - up to 15t/33,000lbs
KSW03 rigid	bolt-on adapter for system L-Lock KMS03L/KHS03L for rigid mounting - up to 6t/13,200lbs
KSW08 rigid	bolt-on adapter for system L-Lock KMS08L/KHS08L for rigid mounting - up to 12t/26,400lbs
OQ45/2 rigid	bolt-on adapter for OilQuick OQ45 - up to 12t/26,400lbs
	adapters for quick change systems from other manufacturers or different sizes on request

Requirements of carrier machine

Operating pressure max.:	240 bar / 3,480 psi
Recommended flow:	27 - 75 l/min / 71 - 20 GPM



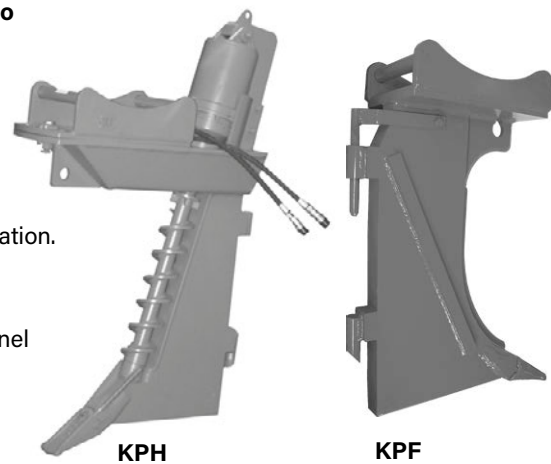
KPF cable plough with KPL tube layer

Cable Ploughs and Tube Layer 12-20t / 26,400-44,000lbs

KPF / KPH / KPL

The Cable Ploughs are efficient tools to drill channels for cables or hoses. Depending on the type, the plough is suitable for excavators with up to 20t / 44,000lbs operating weight. The ploughs are available as mechanical (KPF) and hydraulic (KPH) version.

- ▷ **Solid Design:** very robust without protruding parts.
- ▷ **Robust:** also drills hard soil.
- ▷ **Plough kinematics:** easy plowing, even through roots and other vegetation.
- ▷ **Easy installation** onto the carrier machine.
- ▷ **Different widths** available.
- ▷ **One work step:** opening for positioning of cables or hoses in the channel saves time.
- ▷ **Safety:** better balance between plough and carrier.
- ▷ **KPH:** incl. hydraulic auger.
- ▷ **Optional:** KPL tube layer incl. cable drum mountable.



Cable Ploughs KPF / KPH and Tube Layers KPL

Type	Lower plough width (mm/in)	Height (mm/in)	Weight (kg/lbs)	Operating weight (t/lbs)
KPF 14	70 / 2.8	1,000 / 39.4	300 / 660	12-14/ 26,400-30,800
KPF 18	70 / 2.8	1,000 / 39.4	330 / 726	14-18/30,800-39,600
KPF 20	70 / 2.8	1,000 / 39.4	370 / 814	18-20/ 39,600-44,000
KPH 18	70 / 2.8	1,000 / 39.4	300 / 660	12-18/ 26,400-39,600
KPL 02	30 / 1.2	1,000 / 39.4	60 / 132	-
KPL 03	40 / 1.6	1,000 / 39.4	65 / 143	-
KPL 04	50 / 2	1,000 / 39.4	70 / 154	-
KPL 05	60 / 2.4	1,000 / 39.4	75 / 165	-
KPL 06	70 / 2.8	1,000 / 39.4	95 / 209	-
KPL 07	95 / 3.7	1,000 / 39.4	115 / 253	-
KPL 08	120 / 4.7	1,000 / 39.4	140 / 308	-

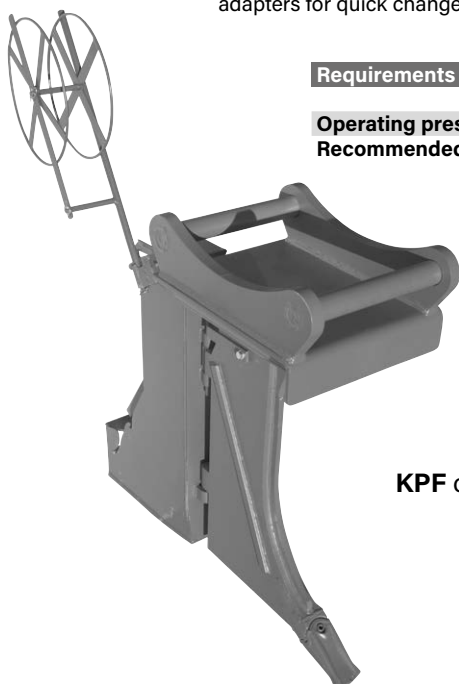
Package consists of: cable plough or tube layer respectively (KPL incl. support for marker tape)

Accessories

Type	Description
KST 09	support for marker tape at tube layer
KST 12	wire rope between cable plough and carrier machine – length 4,500mm/177.2in
KM 690 15t	adapter for rigid mounting – up to 15t/33,000lbs
KM 690 20t	adapter for rigid mounting – up to 20t/44,000lbs
KSW10 rigid	bolt-on adapter for system L-Lock KMS10L/KHS10L for rigid mounting – up to 19t/41,800lbs
OQ60/2	bolt-on adapter for OilQuick OQ60 – up to 18t/39,600lbs
OQ65/2	bolt-on adapter for OilQuick OQ65 – up to 22t/48,400lbs
	adapters for quick change systems from other manufacturers or different sizes on request

Requirements of carrier machine

Operating pressure max.:	240 bar / 3,480psi
Recommended flow:	27 - 75 l/min / 7 - 20GMP



KPF cable plough with KPL tube layer