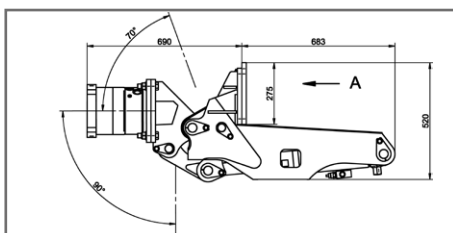
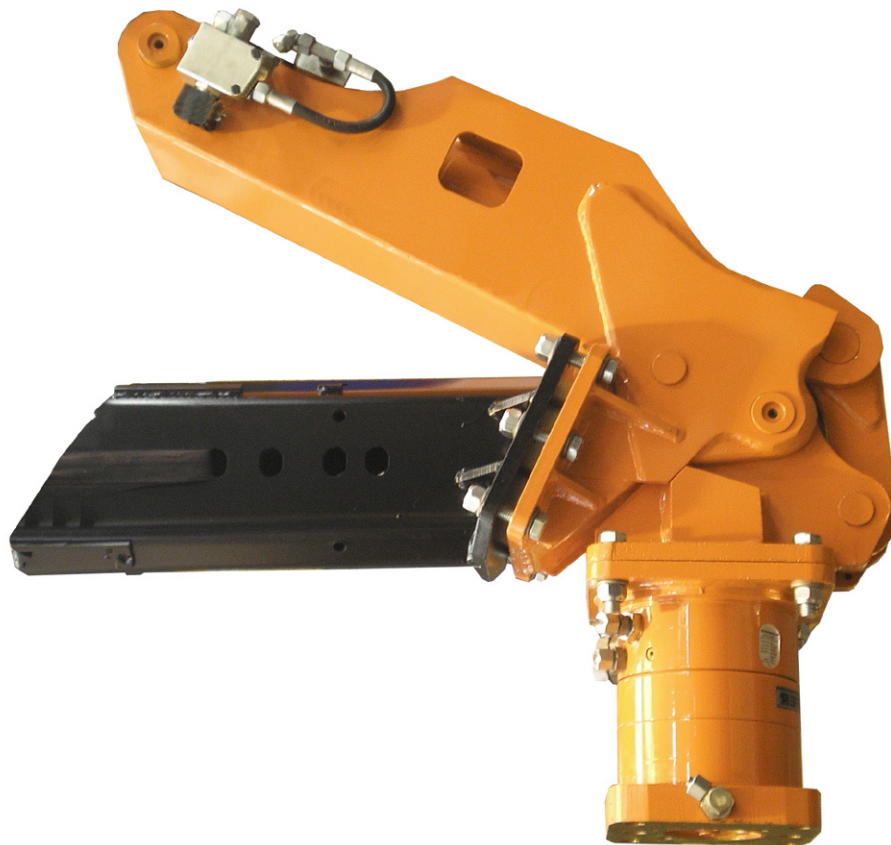




**KINSHOFER**  
crane and excavator attachments

# Two-Axes-Manipulator KM 931 Special

## Special and Custom Solutions



700285/2010

# Two-Axes-Manipulator

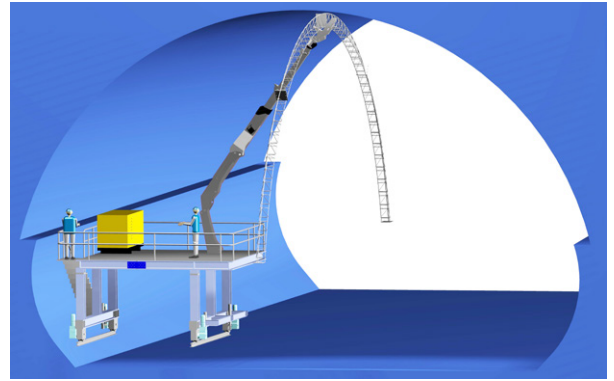
# KM 931 Special

The 2-axes-manipulator KM 931 Special by Kinshofer is the ideal tool for the positioning of elements in the construction of tunnels. Special attention should be paid here to the hydraulic clearing of the tip cylinder. This cylinder is cleared after the docking at the steel beam.

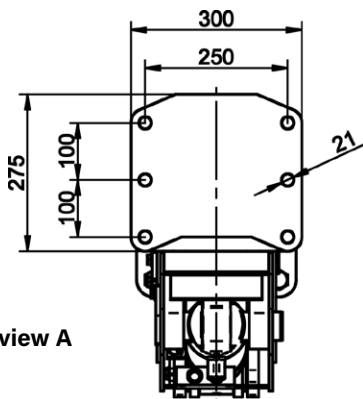
Thus the element aligns itself always vertically as the center of gravity is below the manipulator. Thereby the delicate steel reinforcements will not be crooked and a readjustment when positioning is not necessary.

## TECHNICAL DATA:

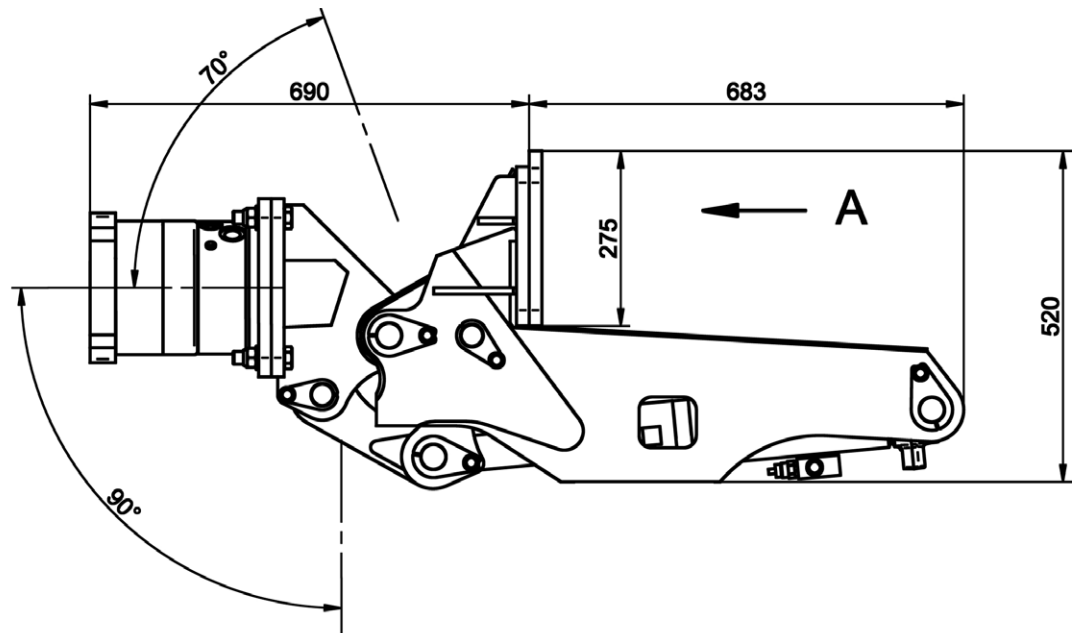
Operating pressure:	20 MPa (200 bar) / 2,880 psi
Pump capacity:	25 - 75 l/min / 6.6 - 19.8 GPM
Load capacity:	1,500 kg / 3,300 lbs
Tilt moment:	17,800 Nm / 13,130 ft.lbs
Weight:	220 kg / 484 lbs



Hydraulic clearing



view A



We reserve the right to amend specifications without prior notice! **KINSHOFER** GmbH, D-83607 Holzkirchen, Germany

## KINSHOFER Branches

Headquarters Germany:  
**KINSHOFER** GmbH  
Raiffeisenstrasse 12  
83607 Holzkirchen  
Germany  
Tel.: +49 (0) 8021 88 99 0  
Email: info@kinshofer.com  
www.kinshofer.com



**KINSHOFER** is an  
ISO 9001 certified Company.  
DVS ZERT is a registered trademark  
of DVS ZERT e.V., Düsseldorf.

