



KINSHOFER
crane and excavator attachments

Panel Grapple KM 611

Special and Custom Solutions



700725/2012

At each construction site you will have the situation sooner or later that you have to handle large metal or wooden panels to cover up openings in the ground or to make silted access routes fit for traffic.

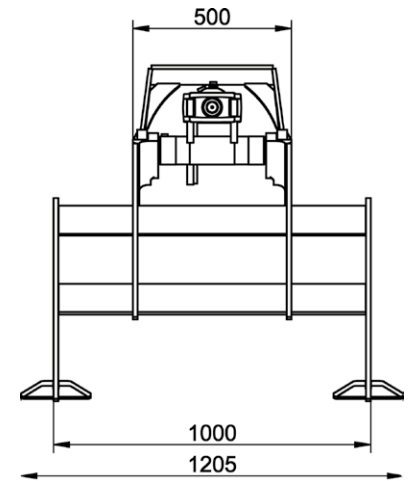
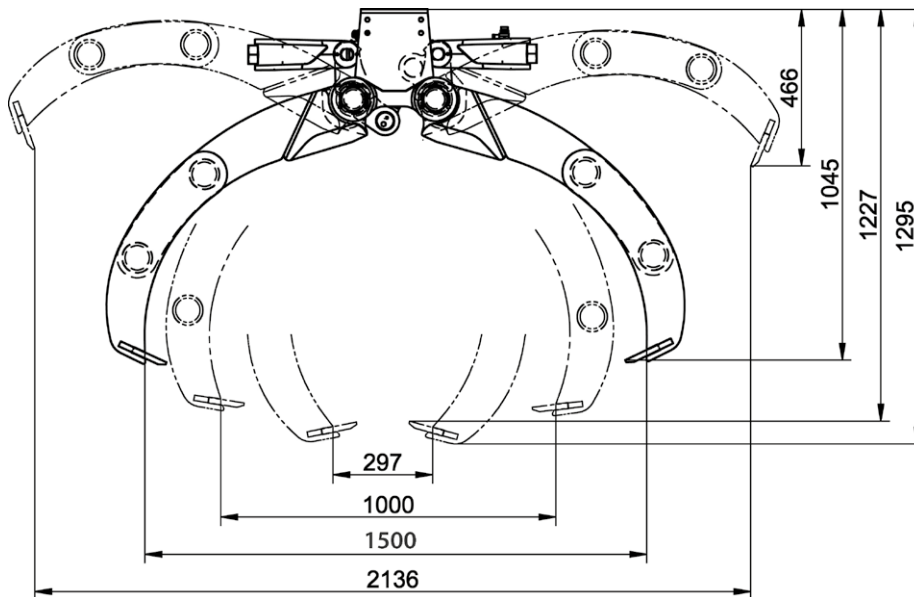
Thanks to the new KM 611 panel grapple, the loading and handling of these heavy, bulky panels is no problem at all.

Due to the mounted Kinshofer rotator, the precise positioning is guaranteed. The grapple has been designed to handle panels with a width of 1,000 - 2,000 mm / 39.4 - 78.7 in. The loading capacity is 3,000 kg / 6,600 lbs.

The integrated non-return valve guarantees the secure retention of loads even in case of a pressure drop.

TECHNICAL DATA:

Operating pressure:	max. 32 MPa (320 bar) max. 4,610 psi
Pump capacity:	25 - 75 l/min 6.6 - 19.8 GPM
Load capacity:	3.000 kg / 6,600 lbs
Closing force:	14 kN / 3,080 lbf
Weight:	305 kg / 671 lbs



We reserve the right to amend specifications without prior notice! **KINSHOFER** GmbH, D-83607 Holzkirchen, Germany

KINSHOFER Branches

Headquarters Germany:
KINSHOFER GmbH
 Raiffeisenstrasse 12
 83607 Holzkirchen
 Germany
 Tel.: +49 (0) 8021 88 99 0
 Email: info@kinshofer.com
 www.kinshofer.com



KINSHOFER is an
 ISO 9001 certified Company.
 DVS ZERT is a registered trademark
 of DVS ZERT e.V., Düsseldorf.

