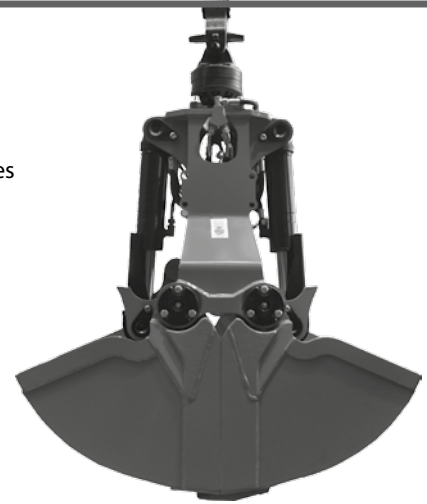


# Heavy Duty Clamshell Bucket with Vertical Hydraulic Cylinders

**KM 607**

The powerful clamshell bucket KM 607 with two vertical hydraulic cylinders is ideal for heavy digging work in grown soil.

- **Good digging behaviour** due to good plunge behaviour and proven shell geometry.
- **Long life** is ensured through the use of 500 HB steel in the manufacture of cutting edges and the generously dimensioned bearing system. Piston rod protection for the vertical hydraulic cylinders are standard.
- **Synchronised bucket movements** due to sturdy compensation rods.
- **Bolt-on digging teeth** are delivered with each clamshell bucket.
- **Excellent digging characteristics** are the result of high closing forces (32 kN at an operating pressure of 26 MPa).



→ Alternatively to the KM 607 the KM 605HPX can be used with an extension for excavating.

## Package Clamshell Bucket KM 607 c

Type	Volume (litre)	Width A (mm)	max. Opening (mm)	Number of teeth	Self weight (kg)	Closing force (kN)	Load capacity (kg)
KM 607-215 c	215	500	1295	5	320	32	3000
KM 607-255 c	255	600	1295	5	335	32	3000

**Package consists of:** clamshell bucket, bolt-on teeth, rotator KM 04 F, short connecting hoses KM 203 01, upper suspension KM 501 4500, non-return valve

## Clamshell Bucket KM 607 incl. Teeth

Type	Volume (litre)	Width A (mm)	max. Opening (mm)	Number of teeth	Self weight (kg)	Closing force (kN)	Load capacity (kg)
KM 607-135	135	325	1295	3	260	32	3000
KM 607-170	170	400	1295	3	270	32	3000
KM 607-215	215	500	1295	5	285	32	3000
KM 607-255	255	600	1295	5	300	32	3000
KM 607-340	340	800	1295	9	385	32	3000

## Accessories

Type	Description
KM 04 F	recommended <b>KINSHOFER</b> rotator for KM 607
KM 04 S	<b>KINSHOFER</b> shaft rotator for precise positioning of the load – up to 4500 kg load capacity
KM 04 S68-30US	recommended <b>KINSHOFER</b> shaft rotator for heavy duty tasks – up to 4500 kg load capacity
KM 505	quick change system for shaft-type rotator KM 04 S
KM 505 HD	quick change system HD for shaft-type rotator KM 04 S68-30US
KM 502 4500	reduction link between rotator and grapple
KM 680 01	scraper (not for width 800 mm)
KM 685 06 eye / hook set 2	welded eyes / welded hooks (2 pieces)
KM 685 07 set	wear plates to protect horizontal cutting edges (2 pieces)

## Requirements of Truck Crane

**Operating pressure:**

**Pump capacity:**



**max. 26 MPa (260 bar)**

30 - 75 l/min

## Technical Drawings

