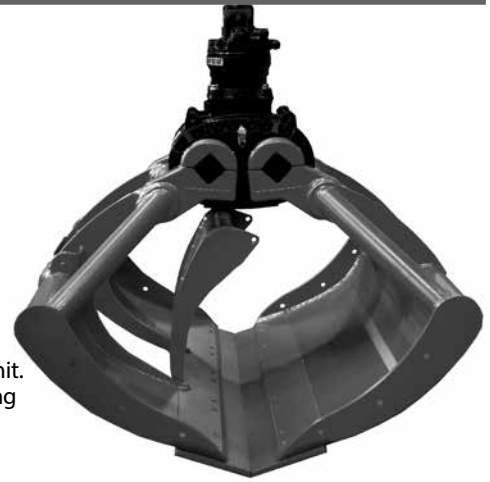


# Heavy Duty Clamshell Bucket with Open Shells for Z-Cranes

# KM 605U HPX-Z

The KM 605U HPX-Z universal grapple with integrated flap rests flat and safe against the crane arm in its transport position. The special flap at the shell carrier allows to transport a large universal grapple, whereat the grapple does not protrude the carrier machine's width (2,55 m)\* – without any loss in loading volume. The flap is secured automatically by a robust pressure piece with rubber bump.



- **Reliability** of the **HPXdrive**. The movement of the arms of the grapple is generated by two hollow shafts, which run opposed and have a helix thread, hydraulically driven by a single piston. No more hydraulic cylinder.
- **Longer life cycle** up to 50%! **Self-lubrication**: The drive unit runs in a permanent oil bath. The compact design makes the **HPXdrive** resistant to dirt and debris.
- **Profitability** through low maintenance costs and longer life cycle.
- Versatility with different types of shells that can easily be refitted onto the driving unit.
- **Constant closing force** (28 kN at 32 MPa operating pressure) over the entire opening and closing process; high efficiency provided by hydro static bearings of the axes.
- **Precise handling** with the gear-type **KINSHOFER** rotator and shells synchronised by the single piston turning both shafts of the **HPXdrive**.

\* depending on crane kinematics and mounting

## Package Clamshell Bucket KM 605U HPX-Z with **KINSHOFER** Flange Rotator

Type	Volume	Width E	Height	max. Opening A	Self weight	Closing force	Load capacity
	(litre)	(mm)	(mm)	(mm)	(kg)	(kN at 32 MPa)	(kg)
<b>KM 605U HPX-Z-400 c</b>	400	820	1145	1545	465	28	3000
<b>KM 605U HPX-Z-450 c</b>	450	920	1145	1545	480	28	3000
<b>KM 605U HPX-Z-500 c</b>	500	1020	1145	1545	495	28	3000
<b>KM 605U HPX-Z-600 c</b>	600	1220	1145	1545	525	28	3000

**Package consists of:** clamshell bucket with flap, rotator KM 06 F140-40, upper suspension KM 501 6000, wear plates KM 685 07 set, non-return valve

## Package Clamshell Bucket KM 605U HPX-Z/502 with **KINSHOFER** Rotator with Shaft and Reduction Link

Type	Volume	Width E	Height	max. Opening A	Self weight	Closing force	Load capacity
	(litre)	(mm)	(mm)	(mm)	(kg)	(kN at 32 MPa)	(kg)
<b>KM 605U HPX-Z-400/502 c</b>	400	820	1215	1545	470	28	3000
<b>KM 605U HPX-Z-450/502 c</b>	450	920	1215	1545	485	28	3000
<b>KM 605U HPX-Z-500/502 c</b>	500	1020	1215	1545	500	28	3000
<b>KM 605U HPX-Z-600/502 c</b>	600	1220	1215	1545	530	28	3000

**Package consists of:** clamshell bucket with flap, rotator KM 06 S, upper suspension KM 501 6000, reduction link KM 502 6000, short hoses KM 203 01, wear plates KM 685 07, non-return valve

## Accessories

Typ	Description
<b>KM 685 06 eye / hook set 2</b>	welded eyes / welded hooks (2 pieces)
<b>KM 685 09 C</b>	side plates to screw onto the grapple for easy digging tasks (4 pieces)
<b>KM 204 01</b>	mobile part of hydraulic quick coupling for hose (Ø 10 mm, 2 pieces)
<b>KM 204 03</b>	hydraulic quick change kit incl. mobile and fixed parts (2 pieces each) mounted with adapters to rotator

## Requirements of Truck Crane

**Operating pressure:** max. 32 MPa (320 bar)  
**Pump capacity:** 40 - 90 l/min

## Technical Drawings

**KM 605U HPX-Z-500**

