

Clamshell Bucket with Horizontal Hydraulic Cylinder

KM 604

The KM 604 is the ideal solution for light weight loader cranes in daily routine work – robust, effective, budget priced.

- **Maximum loading height** is achieved through the compact design with the horizontal hydraulic cylinder.
- **Long life** is ensured through the use of 500 HB steel in the manufacture of the cutting edges and a generously dimensioned bearing system.
- **Synchronized opening and closing** through sturdy compensation bar.
- **Bolt-on digging teeth** are delivered with each clamshell bucket.
- **Excellent digging characteristics** are a result of high closing forces (20 kN at 26 MPa operating pressure).



Package Clamshell Bucket KM 604 c							
Type	Volume	Width B	max. Opening	Number of teeth	Self weight	Closing force	Load capacity
	(litre)	(mm)	(mm)		(kg)	(kN)	(kg)
KM 604-250 c	250	500	1390	5	255	20	3000
KM 604-350 c	350	650	1390	5	275	20	3000
KM 604-450 c	450	800	1390	9	310	20	3000

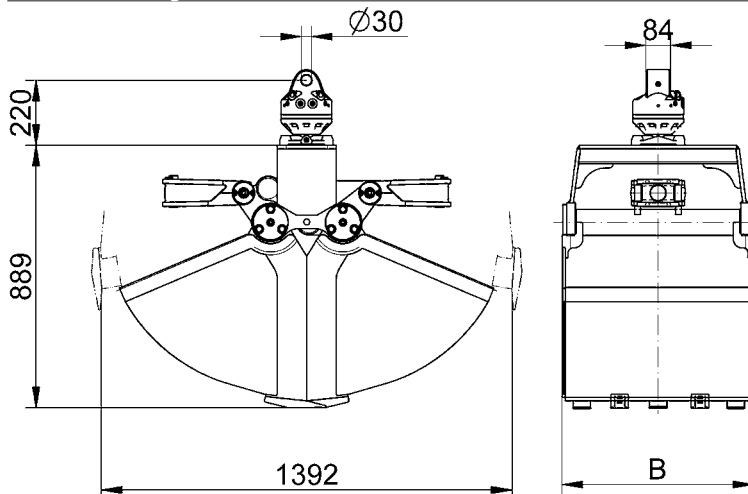
Package consists of: clamshell bucket, bolt-on teeth, rotator KM 04 F, short connecting hoses KM 203 01, upper suspension KM 501 4500, non-return valve

Clamshell Bucket KM 604 incl. Teeth							
Type	Volume	Width B	max. Opening	Number of teeth	Self weight	Closing force	Load capacity
	(litre)	(mm)	(mm)		(kg)	(kN)	(kg)
KM 604-150	150	325	1390	3	185	20	3000
KM 604-200	200	400	1390	3	195	20	3000
KM 604-250	250	500	1390	5	220	20	3000
KM 604-325	325	600	1390	5	235	20	3000
KM 604-350	350	650	1390	5	240	20	3000
KM 604-450	450	800	1390	9	275	20	3000

Accessories	
Type	Description
KM 04 F	recommended KINSHOFER rotator for KM 604
KM 04 S	KINSHOFER shaft rotator for precise positioning of the load – up to 4500 kg load capacity
KM 04 S68-30US	recommended KINSHOFER shaft rotator for heavy duty tasks – up to 4500 kg load capacity
KM 505	quick change system for shaft-type rotator KM 04 S
KM 505 HD	quick change system HD for shaft-type rotator KM 04 S68-30US
KM 502 4500	reduction link between rotator and grapple
KM 680 01	scraper
KM 685 06 eye / hook set 2	welded eyes / welded hooks (2 pieces)
KM 685 07 set	wear plates to protect horizontal cutting edges (2 pieces)
KM 685 05	adapters for mounting of compression rails
KM 381 09 720	compression rails – length 720 mm (2 pieces)
KM 381 09 1000	compression rails – length 1000 mm (2 pieces)

Requirements of Truck Crane	
Operating pressure:	26 - 32 MPa (260 - 320 bar)
Pump capacity:	25 - 75 l/min

Technical Drawings



We reserve the right to amend specifications without prior notice. **KINSHOFER** GmbH, 83666 Waakirchen, Germany