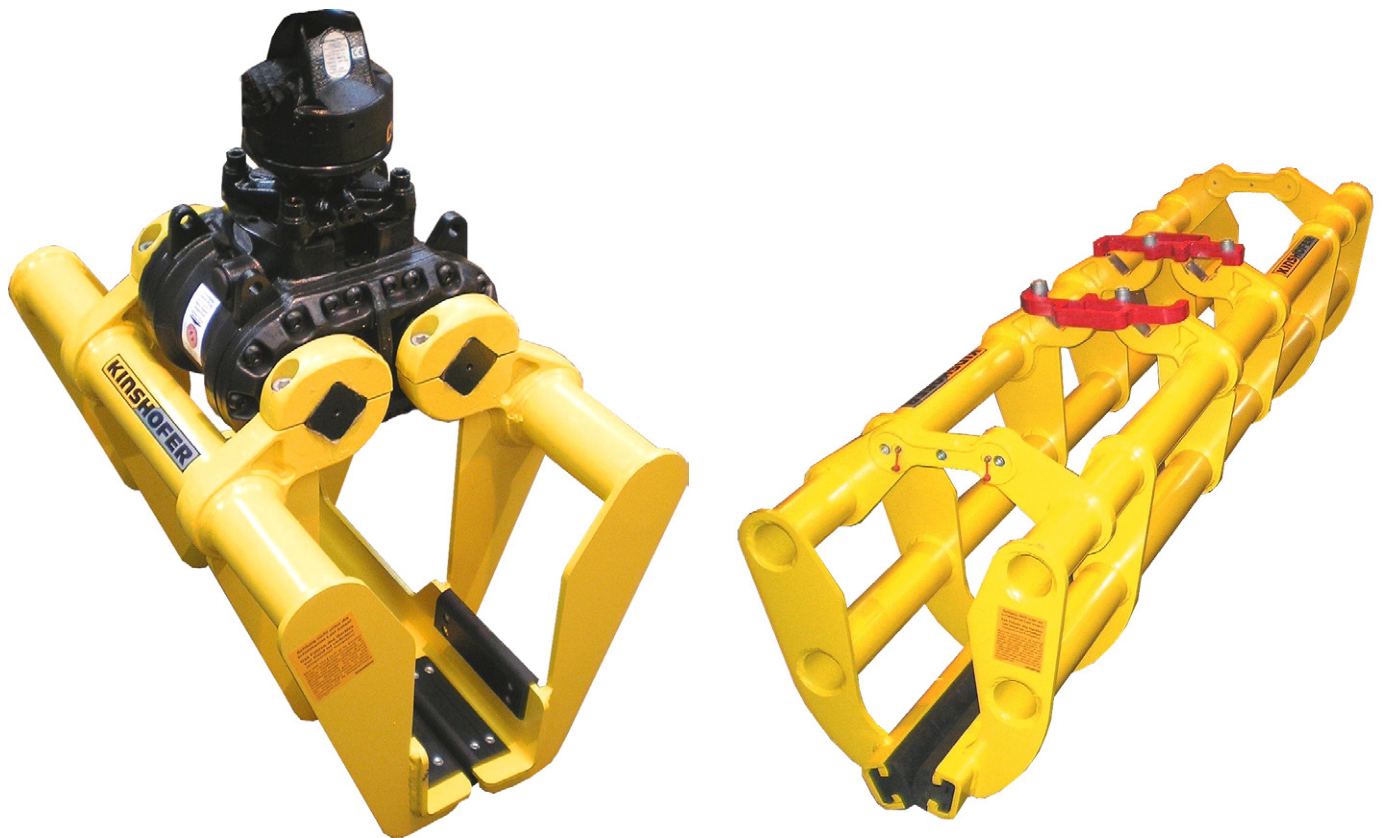




**KINSHOFER**  
crane and excavator attachments

# Guard Rail Grapple with *HPXdrive*

## Special and Custom Solutions



700031/2009

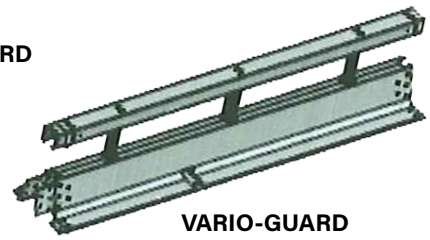
# Guard Rail Grapple with *HPXdrive*

The guard rail grapple with HPXdrive Standard and proven **KINSHOFER** rotator for loader cranes allows for precise handling of two different guard rail systems (MINI-GUARD and VARIO-GUARD) with just one tool thanks to the easily and fast exchanged tines.

Short guard rail elements as well as up to 12 m / 472 in long pieces are no problem at all.

The elements are protected by plastic or rubber inserts on the grapple.

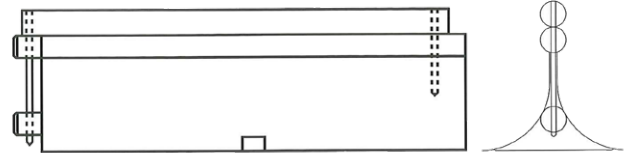
Non-return valves guarantee a safe operation due to the secure retention of loads even at pressure drops.



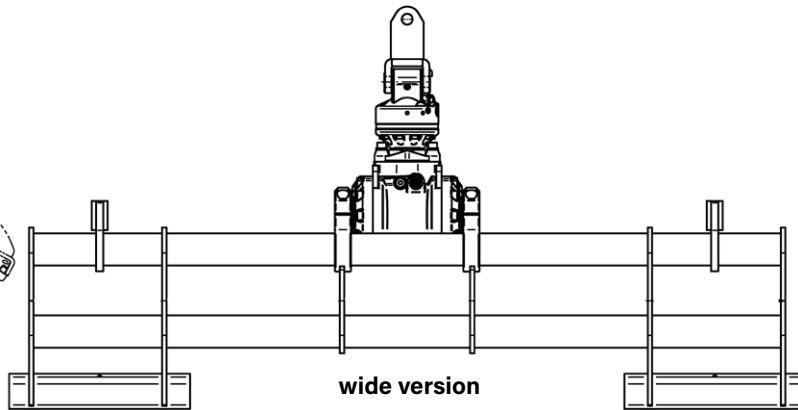
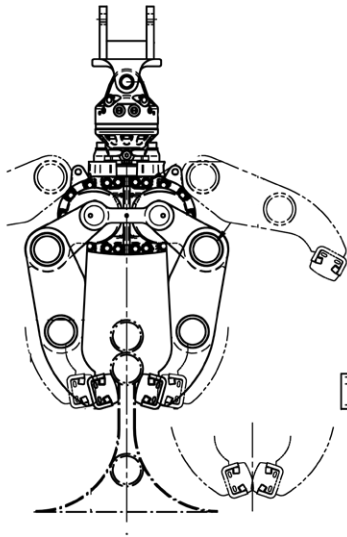
VARIO-GUARD

## TECHNICAL DATA:

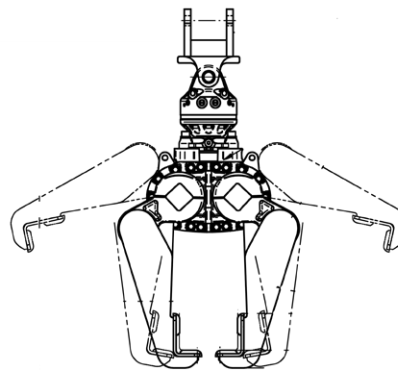
Operating pressure:	20 MPa (200 bar) / 2,880 psi
Pump capacity:	25 - 75 l/min / 6.6 - 19.8 GPM
Load capacity:	1,500 kg / 3,300 lbs
Closing force:	25 kN / 5,500 lbf
Weight at width:	250 kg at 820 mm / 550 lbs at 32.3 in 415 kg at 2,200 mm / 913 lbs at 86.6 in



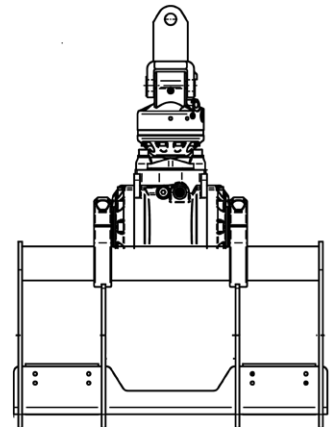
MINI-GUARD



wide version



narrow version



We reserve the right to amend specifications without prior notice! **KINSHOFER** GmbH, D-83607 Holzkirchen, Germany

## KINSHOFER Branches

Headquarters Germany:  
**KINSHOFER** GmbH  
Raiffeisenstrasse 12  
83607 Holzkirchen  
Germany  
Tel.: +49 (0) 8021 88 99 0  
Email: info@kinshofer.com  
www.kinshofer.com



**KINSHOFER** is an  
ISO 9001 certified Company.  
DVS ZERT is a registered trademark  
of DVS ZERT e.V., Düsseldorf.

