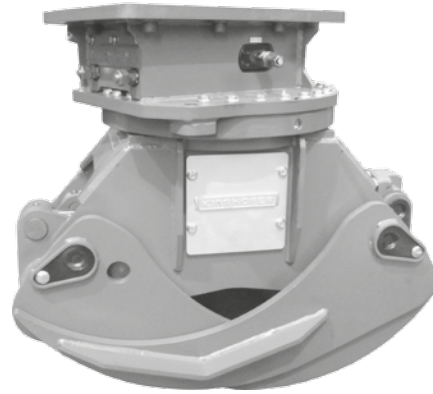


# Timber Grab

# T12H

The robust 4-finger timber grab unifies the proven KINSHOFER rotator with sturdy logging tines for excavators with up to 12t / 26400 lbs operating weight. Ideal also for forestry enterprises handling windfalls or when realizing special demolition or pile foundation tasks.

- The kinematics of the tines avoid the unintended clamping of material.
- Logs with 110mm /4.33 to 590 mm /23.23 in diameter can be gripped.
- Robust, fully integrated rotation with two motors. Integrated pressure relief valve against overcharge.
- High closing force achieved by two hydraulic cylinders.



### Timber Grab T12H

Type	Width E (mm/in)	Opening A (mm/in)	Height C min. (mm/in)	min. Log Ø (mm/in)	Volume (m <sup>3</sup> /cords)	Self weight (kg/lbs)	Load capacity (kg)	Closing force (kN/lbf)
<b>T12H</b>	600/ 23.62	1850/ 72.83	1135/ 44.69	110 -590/4.33-23.23	0,40 / 0.27	610/ 1342	3000 / 6600	16 / 3520

Package consists of: timber grab, **KINSHOFER** rotator, non-return valve, hose guard

### Accessories

Type	Description
<b>KM 690 15t</b>	adapter for rigid mounting – up to 15t / 33000 lbs
<b>KSW08 rigid</b>	bolt-on-adapter for „System L-Lock“ KMS08/KHS08 for rigid mounting – up to 12t / 26400 lbs
<b>OQ</b>	bolt-on-adapter for Oilquick OQ– 5t to 70t / 11000 lbs to 154000 lbs adapters for quick change systems – from other manufacturers or different sizes available on request

### Requirements of Excavator

Operating pressure (open/close):	max. 28 MPa (280 bar) / 4032 psi
Operating pressure (rotation):	14 - 25 MPa (140 - 250 bar) / 2016-3600 psi
Recommended oil flow (rotation):	25 - 75 l/min / 6.61 - max. 19.82 GPM

### Technical Drawings

