

3-Finger Timber Grabs with *HPXdrive*

T05HPX-3Z/T09HPX-3Z

With the 3-finger timber grab for logging and forestry tasks with the maintenance-free *HPXdrive* for excavators with up to 5t / 11000 lbs or 9t / 19800 lbs operating weight, even logs with only 90 mm / 3.54 in diameter can be gripped firmly. Ideal also for the handling of brushwood and branches.

- **HPXdrive** – the revolutionary concept for hydraulically operated grabs!
The rotation of the arms of the grab is generated by two hollow shafts, which run opposed and have a helix thread, hydraulically driven by a single piston. No hydraulic cylinder required!
- 50% longer life cycle. The drive unit runs in a permanent oil bath – no lubrication necessary. Resistant against dirt and blows, due to the compact design.
- Constant closing forces during the entire operation.
- Different applications possible through easy exchange system.
- Integrated non-return valve guarantees secure retention of the loads.
- Precise positioning and working due to rigid mount.
- Tines made of cutting edge material 500 HB steel.



T09HPX-3Z

Timber Grabs T05HPX/T09HPX

Type	Width E (mm/in)	Opening A (mm/in)	Height max. (mm/in)	Gripping range D min. (∅ mm/in)	Gripping range D max. (∅ mm/in)	Weight (kg/lbs)	Load capacity (kg/lbs)	Closing force (kN/lbf)	Operating weight (t/lbs)
T05HPX-3Z	375 / 14.76	1240 / 48.82	1130 / 44.49	90 / 3.54	560 / 22.05	300 / 660	1000 / 2200	17 / 3740	3 - 5 / 6600 - 11000
T09HPX-3Z	375 / 14.76	1240 / 48.82	1035 / 40.75	90 / 3.54	560 / 22.05	320 / 704	2000 / 4400	17 / 3740	5 - 9 / 11000 - 19800

Package consists of: timber grab, **KINSHOFER** rotator (T05HPX: KM 10 F173/180 / T09HPX: KM 15 F273/273), non-return valve

KINSHOFER Rotator

Integrated in a single unit with the *HPXdrive*, no connecting hoses. Continuous rotation. Overload protection ensured by pressure relief valves.

Type	Upper connection (bores/∅-hole pattern) (mm)	Torque (Nm/ft.lbs)	Moment of deflection max. (Nm/ft.lbs)
T05HPX: KM 10 F173/180	6 x M16 / ∅ 180/7.09	2000 / 1475	12000 / 8850
T09HPX: KM 15 F273/273	10 x M16 / ∅ 273/10.75	2000 / 1475	50000 / 36875

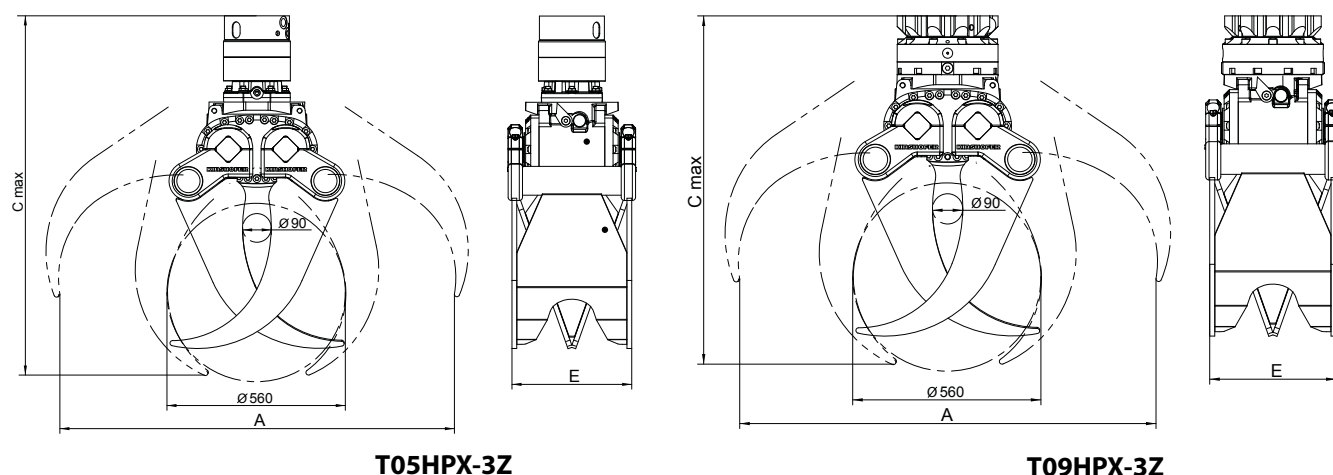
Accessories

Type	Description
KM 691 8t	adapter connection plate for specific solutions – up to 8t / 17600 lbs
KM 690 8t	adapter for rigid mounting – up to 8t / 17600 lbs
OQ45	bolt-on-adapter for Oilquick OQ45 – 5t to 12t / 11000 lbs to 26400 lbs
SW03 rigid	bolt-on-adapter for Lehnhoff grab exchange system SW/MS03 for rigid mounting – up to 5t / 11000 lbs
SW08 rigid	bolt-on-adapter for Lehnhoff grab exchange system SW/MS08 for rigid mounting – up to 12t / 26400 lbs
	adapter for quick exchange systems from other manufacturers available
KM 980-2 2t-8t c	solenoid valve for additional oil circuit, up to 26 MPa / 3744 psi, incl. assembly parts and mounting

Requirements of Excavator

	T05HPX-3Z	T09HPX-3Z
Operating pressure (open/close):	max. 32 MPa (320 bar) / 4608 psi internal: 26 MPa (260 bar) / 3744 psi	max. 32 MPa (320 bar) / 4608 psi
Pump capacity (open/close):	40 - 75 l/min / 10.57 - 19.82 GPM	40 - 75 l/min / 10.57 - 19.82 GPM
Operating pressure (rotation):	max. 32 MPa (320 bar) / 4608 psi	max. 32 MPa (320 bar) / 4608 psi
Pump capacity (rotation):	20 - 50 l/min / 5.28 - 13.21 GPM	20 - 50 l/min / 5.28 - 13.21 GPM

Technical Drawings



T05HPX-3Z

T09HPX-3Z