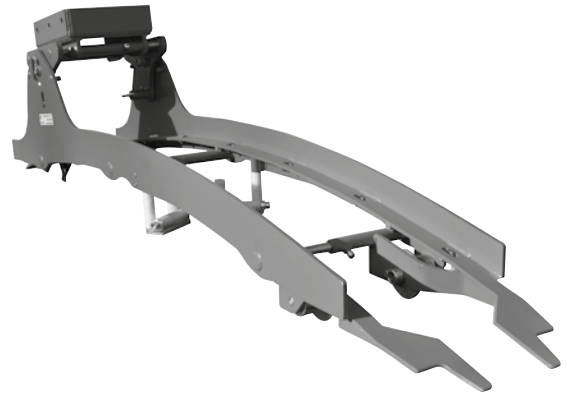


Lid Opener

LOP

The LOP Lid Opener is the ideal tool to position cables or hoses in an already existing cable trench – suitable for excavators from 4 t - 24 t / 8800 - 52800 lbs operating weight. Does three jobs in one move: Opening the lid, laying or pulling out the cable, closing the lid after this.

- **Low weight.**
- **Efficiency:** opens and closes the lid in one single movement.
- **Flexibility:** adjustable for different cable trenches.
- **Easy handling.**
- **LOP 02: with turnable upper bracket.**



Lid Opener LOP

Type	Weight (kg / lbs)	Length (mm / in)	Height (mm / in)	Width max. (mm / in)	Trench lid width (mm / in)	Trench wall thickness (mm / in)	Lid thickness (max. mm / in)	Operating weight (t / lbs)
LOP 02	235	2825	745	630	355 - 535	50 - 70	65	4 - 24
	517	111.22	29.33	24.80	13.98 - 21.06	1.97 - 2.76	2.56	8800 - 52800
LOP 05	210	2825	745	630	355 - 535	50 - 70	65	4 - 24
	462	111.22	29.33	24.80	13.98 - 21.06	1.97 - 2.76	2.56	8800 - 52800

Package consists of: lid opener

Pictures – Examples of Use

