

# Barrier Lifter

# KM 932MB

The KM 932MB barrier lifter is a mechanical grab for fast and convenient handling of concrete barriers and blocks.

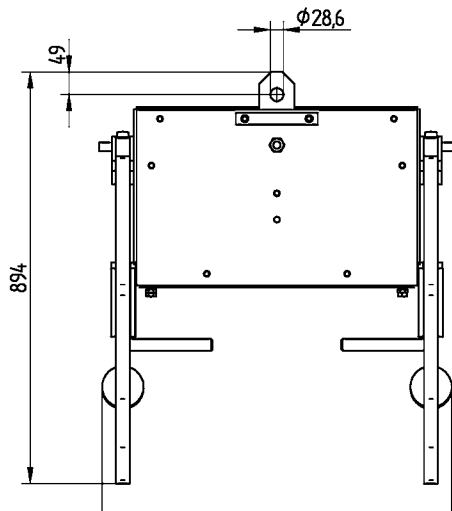
- **Safe:** Carbide gripping pads ensure safe operation, even on wet or coated surfaces.
- **Efficient:** The fully integrated, mechanically operated “latch & release” system allows the unit to function independently, without assistance from an additional operative.
- **Versatile:** Multi-position arms are a standard feature. This means one unit can achieve different gripping ranges by simply changing the position of four pins.
- **Cost-effective:** The elimination of slings and chains means more cycles can be achieved per hour.
- **Fast:** The “latch & release” system functions automatically each time the load line is slackened.



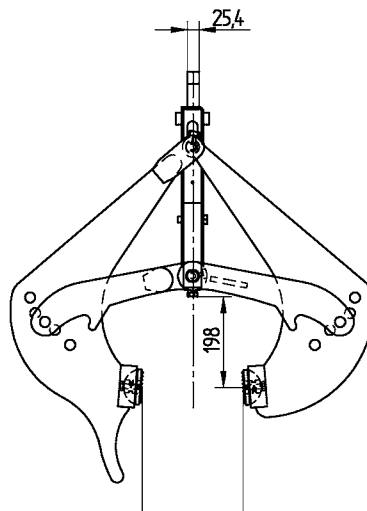
## Barrier Lifter KM 932MB

Type	Opening range A (min./max.) (mm/in.)	Self weight (kg/lbs)	Load capacity (kg/lbs)	Operating weight (t/lbs)
KM 932MB-6/10	120 – 305 / 4.72 - 12.01	165 / 363	6580 / 14476	18 - 27 / 39600 - 59400
KM 932MB-12/14	295 – 395 / 11.61 - 15.55	145 / 319	6580 / 14476	18 - 27 / 39600 - 59400

## Technical Drawings



KM 932MB



KM 932MB-6/10

