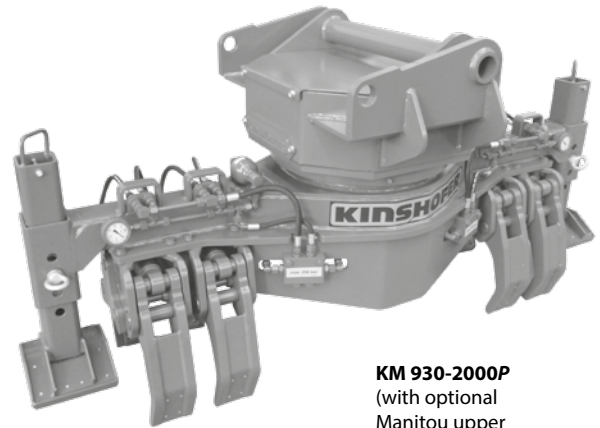


KM 930P

Pole Grab

The KM 930P Pole Grab is the ideal tool for lifting, handling and positioning of tubes and poles - for excavators with up to 16t / 35200 lbs or 25t / 55000 lbs operating weight and for telescopic forklifts.

- 360° endless rotation.
- Load capacities from 1000 kg / 2200 lbs up to 3000 kg / 6600 lbs can be mastered by the Manipulator.
- Precise positioning due to the integrated rotation with two motors and two brakes (KM 930-3000P with four motors).
- Secure retention of loads thanks to the integrated non-return valve and gripping pads at the tines.



KM 930-2000P
(with optional Manitou upper bracket)

Pole Grab KM 930P

Type	Load capacity (kg/lbs)	Pole Ø (min. - max.) (mm/in)	Width E (mm/in)	Number of tines	Weight (kg/lbs)	Closing force (kN/lbf)	Torque (Nm/ft.lbs)	Operating weight excavator (t/lbs)
KM 930-1000P	1000 / 2200	70 - 300 / 2.76 - 11.81	1785 / 70.28	2	860 / 1892	23 / 5060	5000 / 3690	7 - 16 / 15400 - 35200
KM 930-2000P	2000 / 4400	70 - 300 / 2.76 - 11.81	2175 / 85.63	4	870 / 1914	45 / 9900	5000 / 3690	16 - 25 / 35200 - 55000
KM 930-3000P	3000 / 6600	70 - 300 / 2.76 - 11.81	2560 / 100.79	6	1050 / 2310	68 / 14960	10000 / 7375	16 - 25 / 35200 - 55000

Package consists of: pole grab (without upper bracket), integrated rotation, non-return valve

Note: tubes and poles must be clamped in the centre of gravity.

Accessories

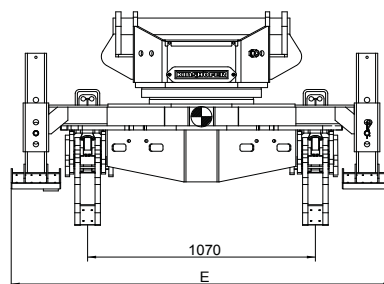
Type	Description
KM 980-2 2t-8t	solenoid valve for additional oil circuit to change over to 3 circuits (for gripping, lifting, turning) when only 2 circuits are available, ready for mounting – 12 V or 24 V, working pressure max. 250 bar / 3600 psi, oil flow 60 l/min / 15.85 GPM (do-it-yourself assembly)
KM 980-2 2t-8t c	solenoid valve KM 980-2 complete attachment kit including assembly components, hose guard, hoses and mounting on the KM 930P manipulator – 12 V or 24 V, working pressure max. 250 bar / 3600 psi, oil flow 60 l/min / 15.85 GPM adapter for quick exchange systems from other manufacturers available

Requirements of Excavator

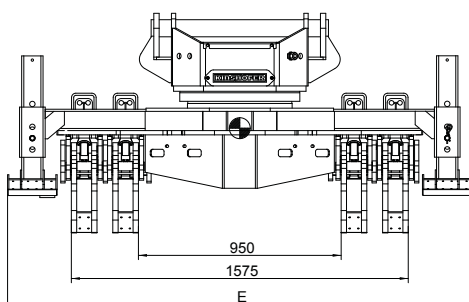
Operating pressure (open/close): max. 25 MPa (250 bar) / 3600 psi
Pump capacity (open/close): 50 - 100 l/min / 13.21 - 26.42 GPM
Operating pressure (rotation): max. 25 MPa (250 bar) / 3600 psi
Pump capacity (rotation): 140 - 170 l/min / 36.99 - 44.91 GPM

Technical Drawings

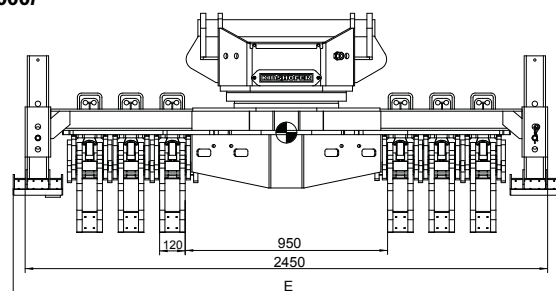
(all 3 technical designs here with optional Manitou upper bracket., other upper brackets available)



KM 930-1000P



KM 930-2000P



KM 930-3000P