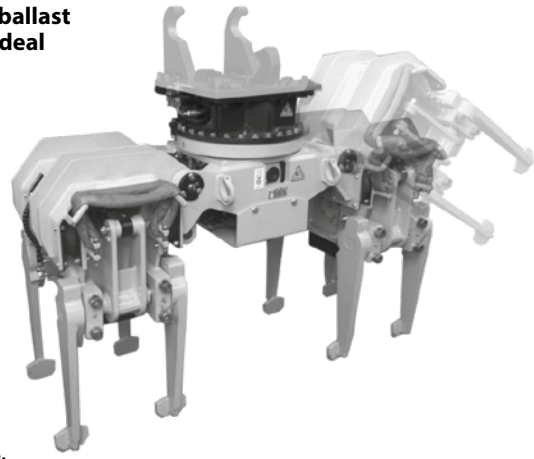


# Double Ballast Tampers

DT03/22

Using a Double Ballast Tamper DT03/22 with 360° rotation the packing of ballast under sleepers is not only fast, but also highly efficient and economical – ideal for road-rail excavators with 14t / 30800 lbs up to 22t / 48400 lbs.

- **Complete** with two high frequency vibrating units.
- **Efficient:** the strong, silent compressors destabilize the gravel ballast, while their built-in vibration units are running. Their four arms are thrust into the gravel and pack it by vibrating. They move alongside and below the sleeper into the ground and tamper optimally.
- **Flexibility:** adjustable arms and force.
- **High frequency.**
- **Low noise operation.**
- **Strong anti-vibration rubbers** for low vibration against the machine.
- 360° rotation incl. 2 motors
- **Adjustable tamping depth** for concrete sleepers or for steel and timber ties.



## Double Ballast Tampers DT03/22

Type	Length D (mm / in)	Width E (mm / in)	Height C (mm / in)	Weight (approx.kg / lbs)	Tamping elements (pieces)	Tilt angle (°)	Gauge F (mm / in)	Tamping range A (mm / in)	Tamping depth G (mm / in)	Compaction force (kg / lbs)
DT03/22	2140 / 84.25	850 / 33.46	1490/ 58.66	1800/ 3960	2 x 4	55	1435 56.50	195 - 650 / 7.68 - 25.59	390-450 / 15.35-17.72	7500 / 16500

**Package consists of:** 2 ballast tampers, tiltable at adapter plate, **KINSHOFER** rotation incl. 2 motors

**Note:** fits all kinds of rails

## Requirements of Excavator

Three hydraulic circuits needed, two of them double effective (open / close and rotation) and one hammer line (vibration), with free line to the tank

- Operating pressure (open/close/vibration):** 15 - 20 MPa (150 - 200 bar) / 2160 - 2880 psi
- Recommended oil flow (open/close):** 75 - max. 100l/min. / 19.82 - max. 26.42 GPM (free line to tank required)
- Recommended oil flow (vibration):** 75 - 85 l/min (150bar) / 19.82 - 22.46 GPM
- Operation pressure (rotation):** max.17 MPa (170 bar) / 2448 psi
- Recommended oil flow (rotation):** 25 - max. 60l/min (at 140bar) / 6.61 - max. 15.85 GPM (at 2016 psi)

**Different couplings available (optional).** Available without upper bracket, too.

## Technical Drawings

