

Multi Purpose Grab

• NEW •

A09H

Robust multi purpose grab for excavators from 6t / 13200 lbs to 9t / 19800 lbs operating weight – ideal for landscaping architecture.

- Efficient tool for the exact positioning of natural rocks and for the handling of filling material – without additional set-up times.
- The sophisticated ergonomics and the design of the shells enables loading, sorting, digging and demolition operations with maximum efficiency.
- Rigid mounting at the tilting joint of the bucket cylinder of the excavator guarantees precise positioning.
- Including the flat 15t-rotator with 360° endless rotation.
- Integrated non-return valve guarantees secure retention of the loads.
- Long life is ensured due to the use of 500 HB steel in the manufacture of cutting edges.
- Optional: matching accessories like bolt-on side plates to handle fine-grained bulk goods or an adapter with compression rails to handle e.g. curbstones without damaging them.



Multi Purpose Grab A09H

Type	Width E	Opening A	Height C max.	Gripping range min.	Volume	Number of teeth	Weight	Load capacity	Closing force
	(mm/in)	(mm/in)	(mm/in)	(∅ mm/in)	(litre/c.y.)		(kg/lbs)	(kg/lbs)	(kN/lbf)
A09H-50	500 / 19.69	1650 / 64.96	1000 / 39.37	343 / 13.50	175 / 0.23	5	350 / 770	3100 / 6820	24 / 5280

Package consists of: multi purpose grab, forged, tucked-in teeth, **KINSHOFER** rotator and non-return valve

KINSHOFER Rotator

Continuous rotation and two oil passages. Overload protection is ensured by pressure relief valves.

Type	Upper connection (bores/∅-hole pattern) (mm/in)	Torque (Nm/ft.lbs)	Moment of deflection max. (Nm/ft.lbs)
KM 15 F273/273	10 x M16 / ∅ 273/10.75	2000 / 1475	50000 / 36875

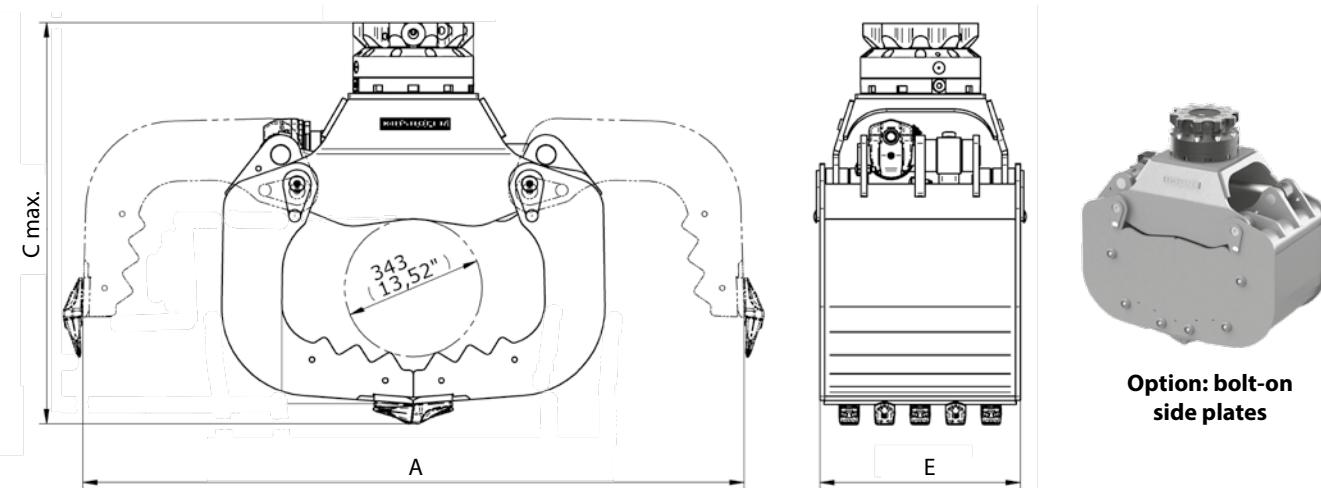
Accessories

Type	Description
KM 691 8t	adapter connection plate for specific solutions – up to 8t / 17600 lbs
KM 690 8t	adapter for rigid mounting – up to 8t / 17600 lbs
OQ45	bolt-on-adapter for Oilquick OQ45 – up to 12t / 26400 lbs
KSW08 rigid	bolt-on-adapter for „System L-Lock“ KMS08/KHS08 for rigid mounting – up to 12t / 26400 lbs
	adapters for quick change systems – from other manufacturers or different sizes available on request
KM 980-2 2t-8t	solenoid valve for additional oil circuit, up to 26 MPa / 37.44 psi, ready for mounting for self installation
KM 980-2 2t-8t c	solenoid valve for additional oil circuit, up to 26 MPa / 37.44 psi, incl. assembly parts and mounting
KM 685 09E-A04-A09	bolt-on side walls for A04 to A09
KM 685 05-A04-A09	adapter with compression rails for A04 to A09

Requirements of Excavator

Operating pressure (open/close):	max. 26 MPa (260 bar) / 3744 psi
Recommended oil flow (open/close):	25 - max. 90 l/min / 6.61 - max. 23.78 GPM
Operating pressure (rotation):	32 MPa (320 bar) / 4608 psi
Recommended oil flow (rotation):	20 - max. 50 l/min / 5.28 - max. 13.21 GPM

Technical Drawings



Option: bolt-on side plates