

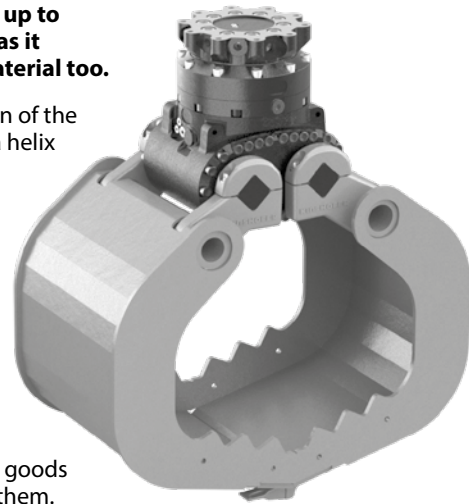
Multi Purpose Grab with *HPXdrive*

• *NEW* •

A09HPX

The new multi purpose grabs with the low maintenance *HPXdrive* for excavators up to 9t / 19800 lbs operating weight – THE ideal and productive tool for landscaping as it allows the precise positioning of natural stones and exact placing of loose fill material too.

- *HPXdrive* – the revolutionary concept for hydraulically operated grabs! The rotation of the arms of the grab is generated by two hollow shafts, which run opposed and have a helix thread, hydraulically driven by a single piston. No hydraulic cylinder required! Integrated non-return valve!
- 50% longer life cycle. The drive unit runs in a permanent oil bath – no lubrication necessary. Resistant against dirt and blows, due to the compact design.
- The sophisticated ergonomics and the design of the shells enables loading, sorting, digging and demolition operations with maximum efficiency.
- Including the flat 15t-rotator with 360° endless rotation for precise positioning.
- Constant closing forces during the entire operation.
- Different applications possible through easy exchange system.
- Optional: matching accessories like bolt-on side plates to handle fine-grained bulk goods or an adapter with compression rails to handle e.g. curbstones without damaging them.



Multi Purpose Grab A09HPX

Type	Width E (mm/in)	Opening A (mm/in)	Height C max. (mm/in)	Gripping range D min. (Ø mm/in)	Number of teeth	Volume (litre/c.y.)	Weight (kg/lbs)	Load capacity (kg/lbs)	Closing force (kN/lbf)
A09HPX-50	500 / 19.69	1550 / 61.02	1091 / 42.95	460 / 18.11	5	210 / 0.27	410 / 902	1000 / 2200	15,3 / 3366

Package consists of: multi purpose grab, forged, tucked-in teeth, **KINSHOFER** rotator and non-return valve

KINSHOFER Rotators

Integrated in a single unit with the *HPXdrive*, no connecting hoses. Continuous rotation. Overload protection ensured by pressure relief valves.

Type	Upper connection (bores/Ø-hole pattern) (mm/in)	Torque (Nm/ft.lbs)	Moment of deflection max. (Nm/ft.lbs)
KM 15 F273/273	10 x M16 / Ø 273/10.75	2000 / 1475	50000 / 36875

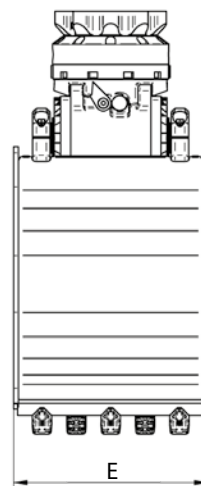
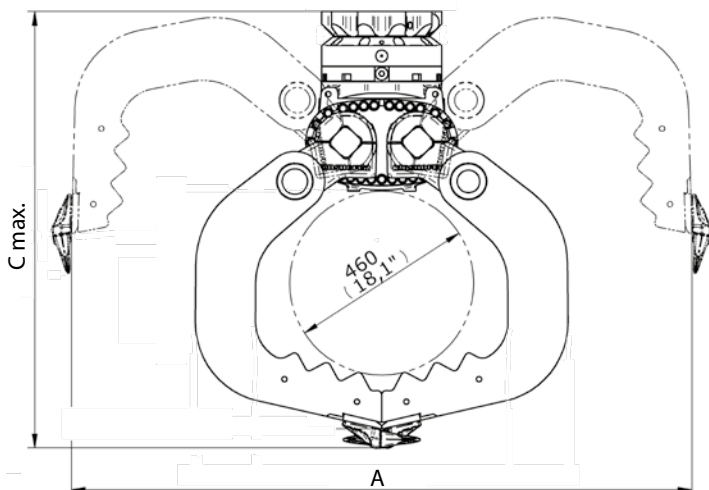
Accessories

Type	Description
KM 691 8t	adapter connection plate for specific solutions – up to 8t / 17600 lbs
KM 690 8t	adapter for rigid mounting – up to 8t / 17600 lbs
OQ45	bolt-on-adapter for Oilquick OQ45 – up to 12t / 26400 lbs
KSW08 rigid	bolt-on-adapter for „System L-Lock“ KMS08/KHS08 for rigid mounting – up to 12t / 26400 lbs
	adapters for quick change systems – from other manufacturers or different sizes available on request
KM 980-2 2t-8t	solenoid valve for additional oil circuit, up to 26 MPa / 37.44 psi, ready for mounting for self installation
KM 980-2 2t-8t c	solenoid valve for additional oil circuit, up to 26 MPa / 37.44 psi, incl. assembly parts and mounting
A09HPX-50S	exchangeable shells for A09HPX-50 incl. exchange aid
KM 685 09E-A04-A09	bolt-on side walls for A04 to A09
KM 685 05-A04-A09	adapter with compression rails for A04 to A09

Requirements of Excavator

	A09HPX
Operating pressure (open/close):	max. 37 MPa (370 bar) / 5328 psi / internal 26 MPa (260 bar) / 3744 psi
Recommended oil flow (open/close):	40 - max. 75 l/min / 10.57 - max. 19.82 GPM
Operating pressure (rotation):	max. 32 MPa (320 bar) / 4608 psi
Recommended oil flow (rotation):	20 - max. 50 l/min / 5.28 - max. 13.21 GPM

Technical Drawings



Option: bolt-on side plates