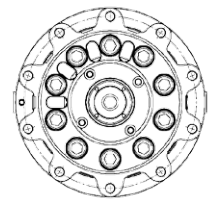
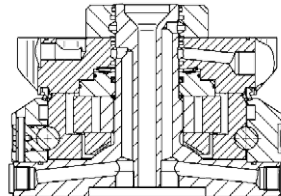
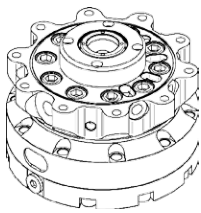
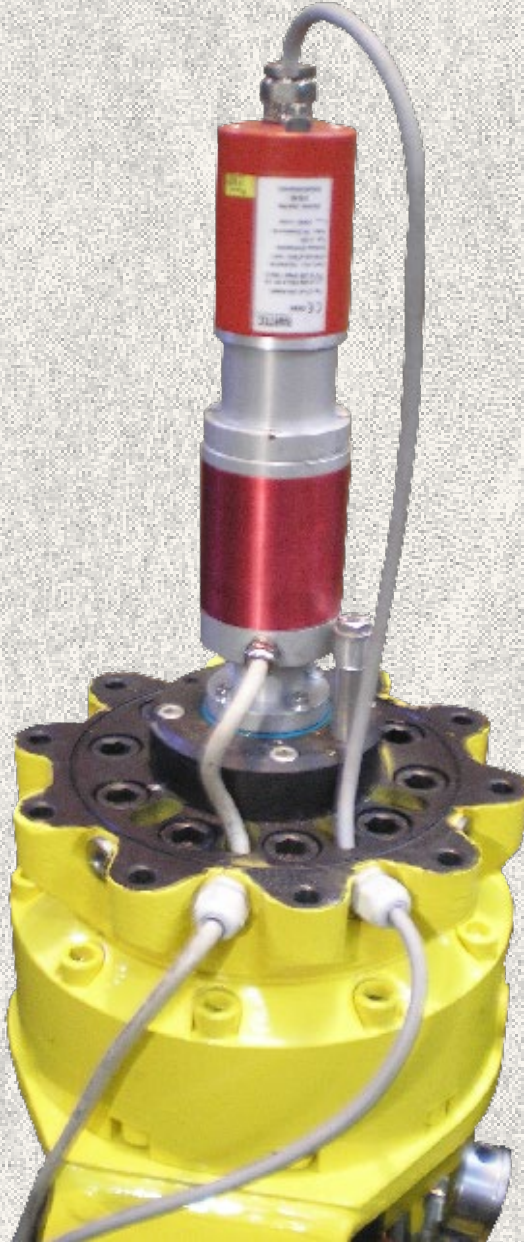




NEWS
Special and Custom
Solutions

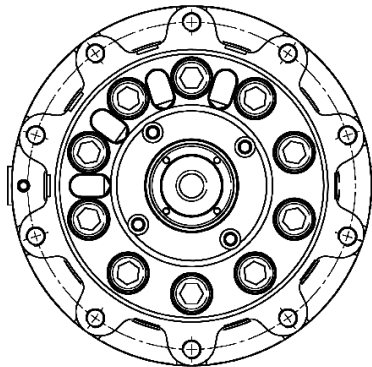
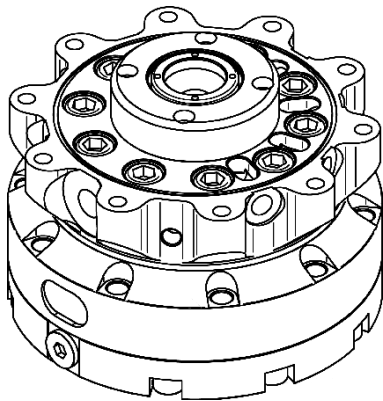
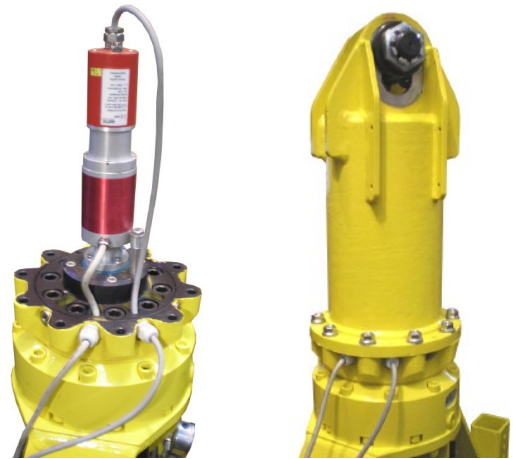
KM 15 F273/273
with Central Feedthrough



www.kinshofer.com

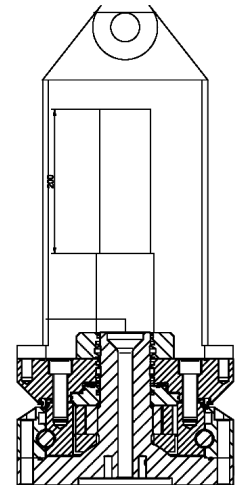
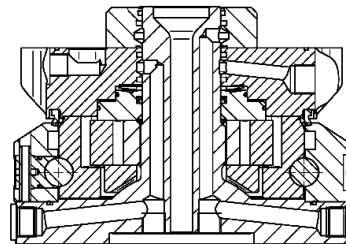
This extremely strong and flat rotator fixed at 4 points by **KINSHOFER** that has already proven its worth in a lot of operations and features a very high bending moment, is here equipped with a central feedthrough as a special version. This boring can be used to install e.g. cables for friction ring and rotary encoder. Thus an electric supply or even sensors at the grab are possible with the endless rotation. Thanks to the possible combination with a rotary encoder, the rotational position of the grab can be read.

The rotator can be used in the Ex-Protection (ATEX) and is seawater-proof.



TECHNICAL DATA:

Operating Pressure:	350 bar
Pump Capacity:	25-75 l/min
Load Capacity:	15 t
Self Weight:	73 kg
Internal Pressure:	150 bar
Bending Moment:	max. 50 kNm
Torque:	2000 Nm



More special and custom solutions can be found on our website under „Downloads“, „Products“ or the „Product News Archive“.

You also have the possibility to apply for our newsletter on our website under „Service“.

We reserve the right to amend specifications without prior notice! **KINSHOFER** GmbH, D- 83666 Waakirchen, Germany

Main Office Germany:
KINSHOFER GmbH
 Hauptstrasse 76
 83666 Waakirchen
 Tel.: +49 (0)8021 – 88 99 0
 Fax: +49 (0)8021 – 88 99 37
 Email: info@kinshofer.com

France:
KINSHOFER France S.A.R.L.
 B.P. 20100
 67213 Obernai Cedex
 Tel.: +33 (0) 3 88 39 55 00
 Fax: +33 (0) 3 88 79 06 75
 Email: info@kinshofer.fr

General Agency for Benelux:
 Rigter Handelsonderneming B.V.
 Nieuwe Maatsweg 7
 NL-3755 NP Eemnes
 Tel.: +31 (0) 35 53 10628
 Fax: +31 (0) 35 53 17462
 Mobil: +31 (0) 653 - 370935
 +31 (0) 651 - 366420
 Email: gf.rigter@gmail.com

United Kingdom:
KINSHOFER UK Ltd.
 4 Milton Industrial Court
 Horsfield Way, Bredbury
 Stockport, Cheshire, SK6 2TA
 Tel.: +44 (0)161 – 406 7046
 Fax: +44 (0)161 – 406 7014
 Email: sales@kinshofer.co.uk

Up front, everywhere

KINSHOFER
 crane and excavator attachments

www.kinshofer.com

