

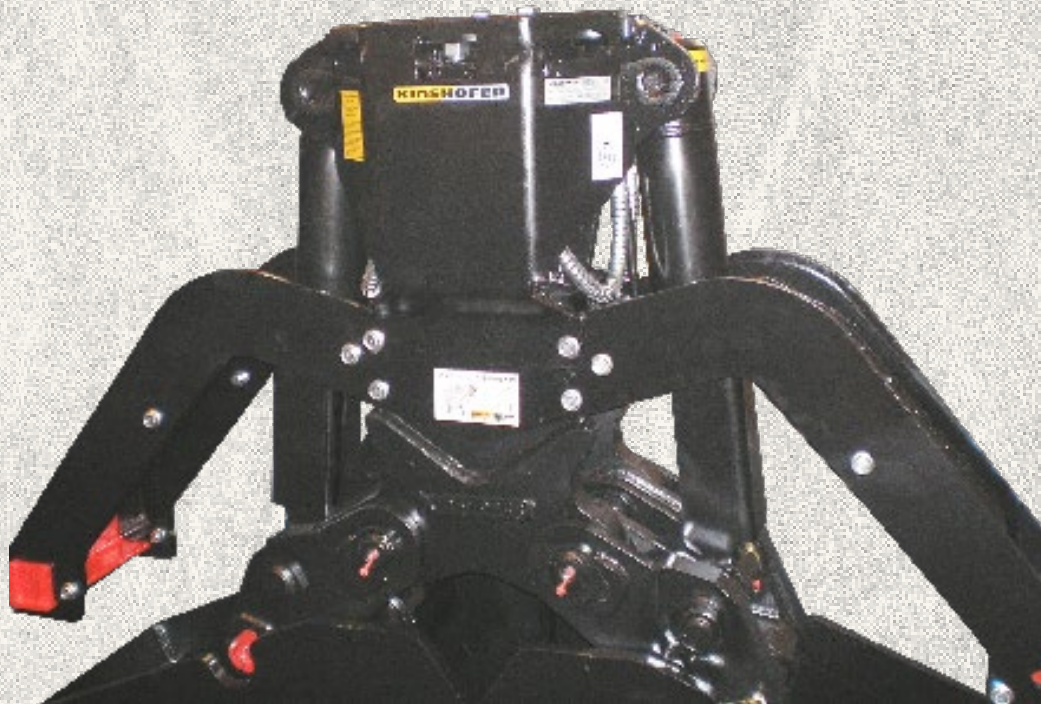


**NEWS**

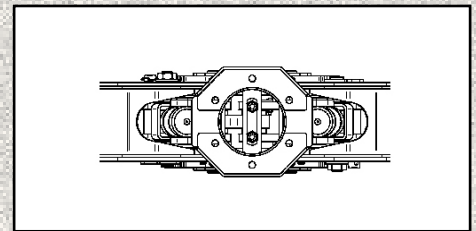
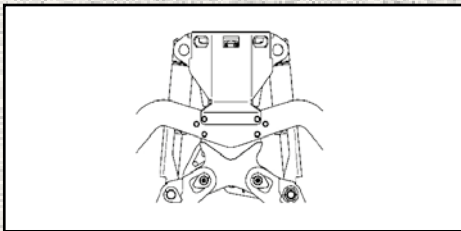
**Special and Custom  
Solutions**

**Clamshell Bucket  
without Rotator**

**C25VE**



www.kinshofer.com



**700002/2008**

## C25VE

## Clamshell Bucket without Rotator

The C25VE from **KINSHOFER** is used to excavate concrete-retaining walls, that will be refilled with concrete afterwards. The trenches are dug up to a depth of 10m. To maintain the stability of the trench it is filled with a special fluid. The grab is working constantly in that fluid.

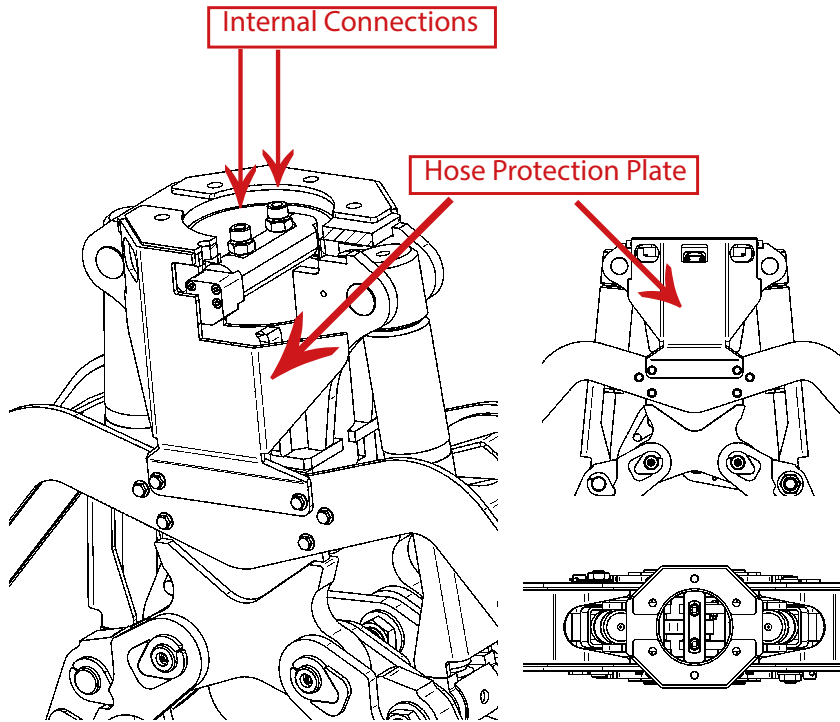
In order to protect the hoses, the hydraulic connections have been relocated into the interior of the grab. The connections to the hydraulic cylinders are protected by an additional protection plate.

The grab extension is manufactured by the customer (place of task: Spain) especially for that task.



### TECHNICAL DATA:

**Type:** C25VE  
**Width:** 325 mm



w w w . k i n s h o f e r . c o m

We reserve the right to amend specifications without prior notice! **KINSHOFER** GmbH, D- 83666 Waakirchen, Germany

**Main Office Germany:**  
**KINSHOFER** GmbH  
 Hauptstrasse 76  
 83666 Waakirchen  
 Tel.: +49 (0)8021 – 88 99 0  
 Fax: +49 (0)8021 – 88 99 37  
 Email: info@kinshofer.com

**France:**  
**KINSHOFER** France S.A.R.L.  
 B.P. 20100  
 67213 Obernai Cedex  
 Tel.: +33 (0) 3 88 39 55 00  
 Fax: +33 (0) 3 88 79 06 75  
 Email: info@kinshofer.fr

**General Agency for Benelux:**  
 Rigter Handelsonderneming B.V.  
 Nieuwe Maatsweg 7  
 NL-3755 NP Eemnes  
 Tel.: +31 (0) 35 53 10628  
 Fax: +31 (0) 35 53 17462  
 Mobil: +31 (0) 653 - 370935  
 +31 (0) 651 - 366420  
 Email: gf.rigter@gmail.com gfjm.rigter@hccnet.nl

**United Kingdom:**  
**KINSHOFER** UK Ltd.  
 4 Milton Industrial Court  
 Horsfield Way, Bredbury  
 Stockport, Cheshire, SK6 2TA  
 Tel.: +44 (0)161 – 406 7046  
 Fax: +44 (0)161 – 406 7014  
 Email: sales@kinshofer.co.uk

... Up front, everywhere

**KINSHOFER**  
 crane and excavator attachments