



**KINSHOFER**  
crane and excavator attachments

# Nuclear Grapples KM 930 & D03HPX Special

## Special and Custom Solutions



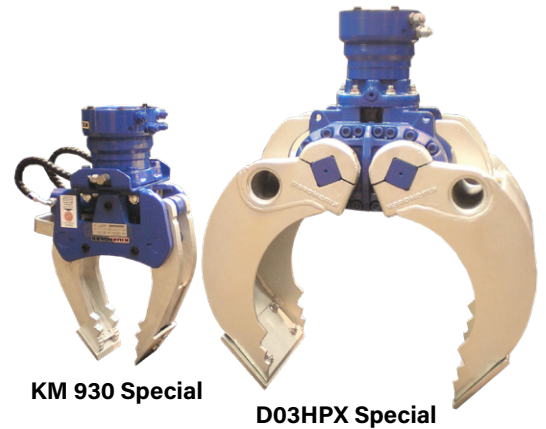
700719/2012

No matter if yesterday or today: there is hardly an issue as omnipresent as the one about nuclear power plants worldwide. The nuclear grapples KM 930 and D03HPX, constructed for a specific task by the **KINSHOFER** department for Special and Custom Solutions, have been developed especially for the sorting of nuclear waste.

The D03HPX Special is equipped with the revolutionary HPXdrive - robust, maintenance-free as well as dust and water proof. It is mainly used for the pre-sorting of heavy, bulky loads (here: for special boxes).

The KM 930 Special is the ideal tool for the handling of smaller problematic pieces. The grapple is equipped with a robust 6t-rotator, a hose guard and optionally with wear plates.

The non-return valves integrated in both tools guarantee the secure retention of loads even at pressure drops.

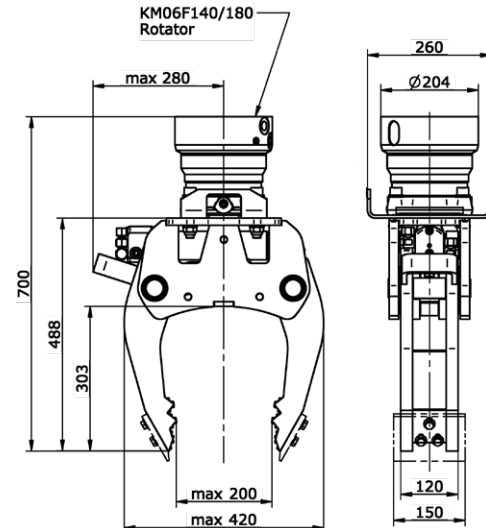
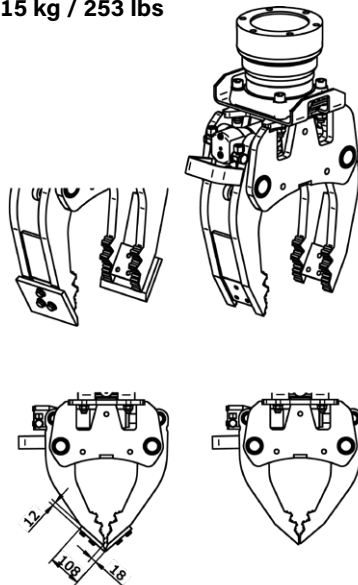
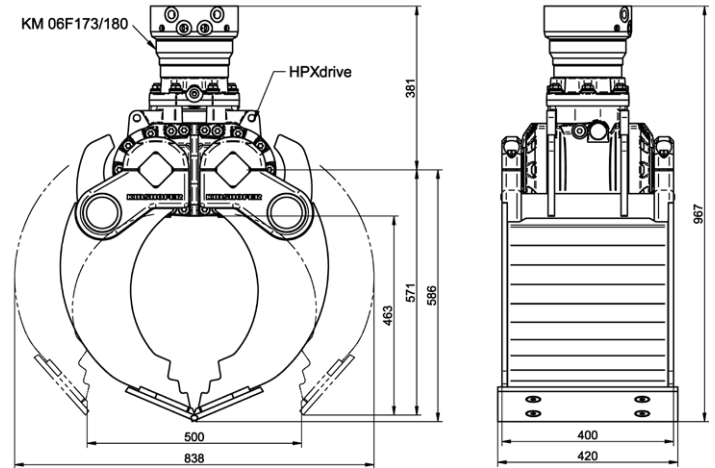


### TECHNICAL DATA D03HPX Special:

**Pump capacity:** 25 - 75 l/min / 6.6 - 19.8 GPM  
**Closing force:** 27 kN / 5,940 lbf  
**Operating pressure:** max. 32 MPa (320 bar) / 4,610 psi  
**Load capacity:** 1,000 kg / 2,200 lbs  
**Weight:** 260 kg / 572 lbs

### TECHNICAL DATA KM 930 Special:

**Pump capacity:** 25 - 75 l/min / 6.6 - 19.8 GPM  
**Closing force:** 10 kN / 2,200 lbf  
**Operating pressure:** max. 20 MPa (200 bar) / 2,880 psi  
**Load capacity:** 500 kg / 1,100 lbs  
**Weight:** 115 kg / 253 lbs



We reserve the right to amend specifications without prior notice! **KINSHOFER** GmbH, D-83607 Holzkirchen, Germany

### KINSHOFER Branches

Headquarters Germany:  
**KINSHOFER** GmbH  
 Raiffeisenstrasse 12  
 83607 Holzkirchen  
 Germany  
 Tel.: +49 (0) 8021 88 99 0  
 Email: info@kinshofer.com  
 www.kinshofer.com



**KINSHOFER** is an  
 ISO 9001 certified Company.  
 DVS ZERT is a registered trademark  
 of DVS ZERT e.V., Düsseldorf.

