



KINSHOFER
crane and excavator attachments

Grab for Nuclear Barrels A02H Special

Special and Custom Solutions



700182/2010

This special barrel grab from **KINSHOFER** has been particularly constructed for secure gripping, positioning and handling of nuclear barrels.

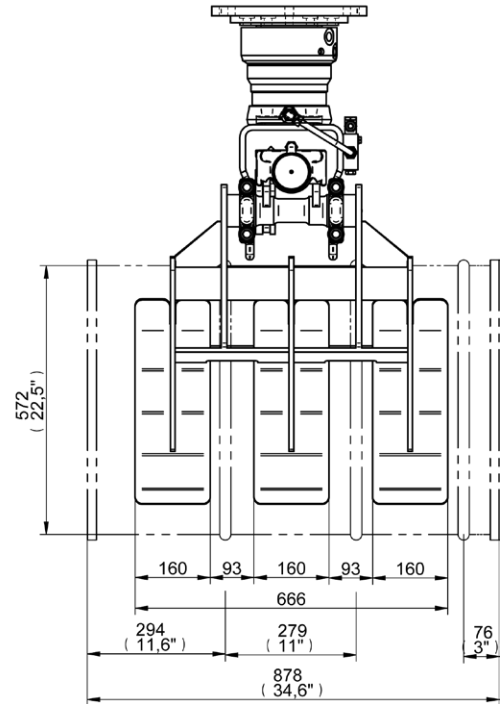
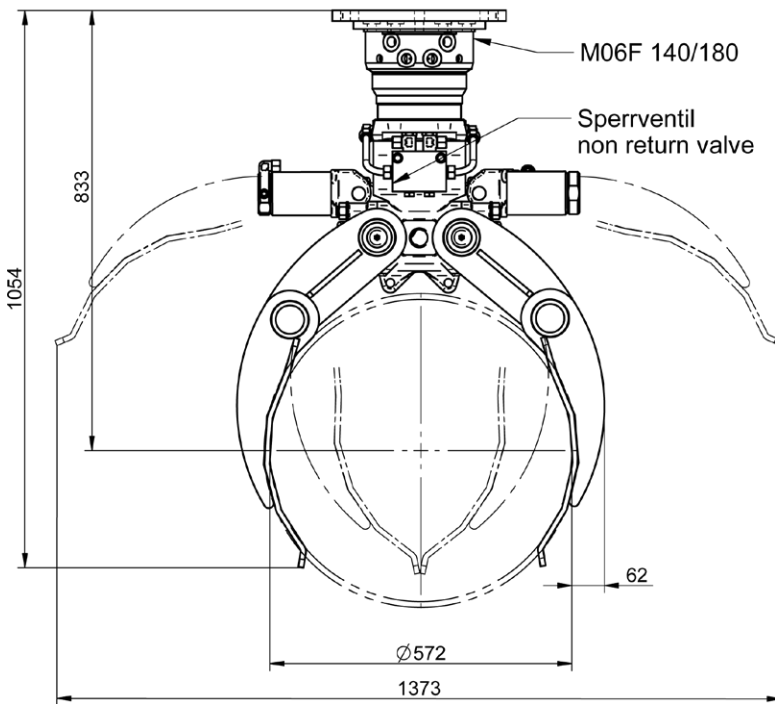
The robust installed 6t-rotator is directly mounted to the carrier machine. The directed positioning is absolutely no problem with this endless rotation.

The tines of this barrel grab have a specially developed design in order to damage or deform the barrels the least possible.

Despite the low self weight of the grab of 235 kg / 517 lbs it has a loading capacity of 500 kg / 1,100 lbs.

TECHNICAL DATA:

Operating pressure:	26 MPa (260 bar) / 3,770 psi
Pump capacity:	25 - 75 l/min / 6.6 - 19.8 GPM
Loading capacity:	500 kg / 1,100 lbs
Weight:	235 kg / 517 lbs
Closing force:	16.8 kN / 3,696 lbf
Operating weight:	1 - 2t / 2,200 - 4,400 lbs



We reserve the right to amend specifications without prior notice! **KINSHOFER** GmbH, D-83607 Holzkirchen, Germany

KINSHOFER Branches

Headquarters Germany:
KINSHOFER GmbH
 Raiffeisenstrasse 12
 83607 Holzkirchen
 Germany
 Tel.: +49 (0) 8021 88 99 0
 Email: info@kinshofer.com
 www.kinshofer.com



KINSHOFER is an
 ISO 9001 certified Company.
 DVS ZERT is a registered trademark
 of DVS ZERT e.V., Düsseldorf.

