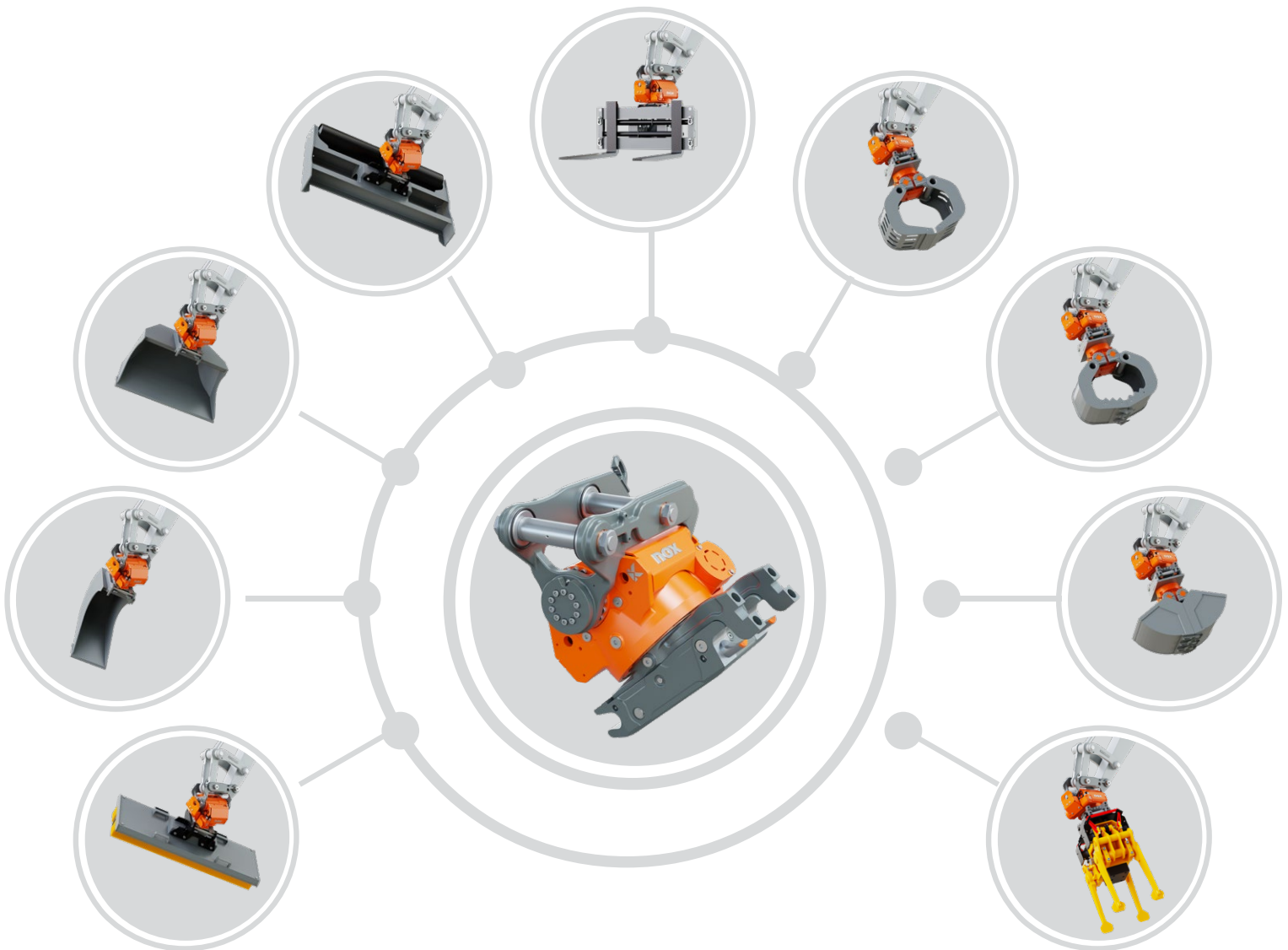




2024-V1



noX Tiltrotators and Accessories



NOX Tiltrotators



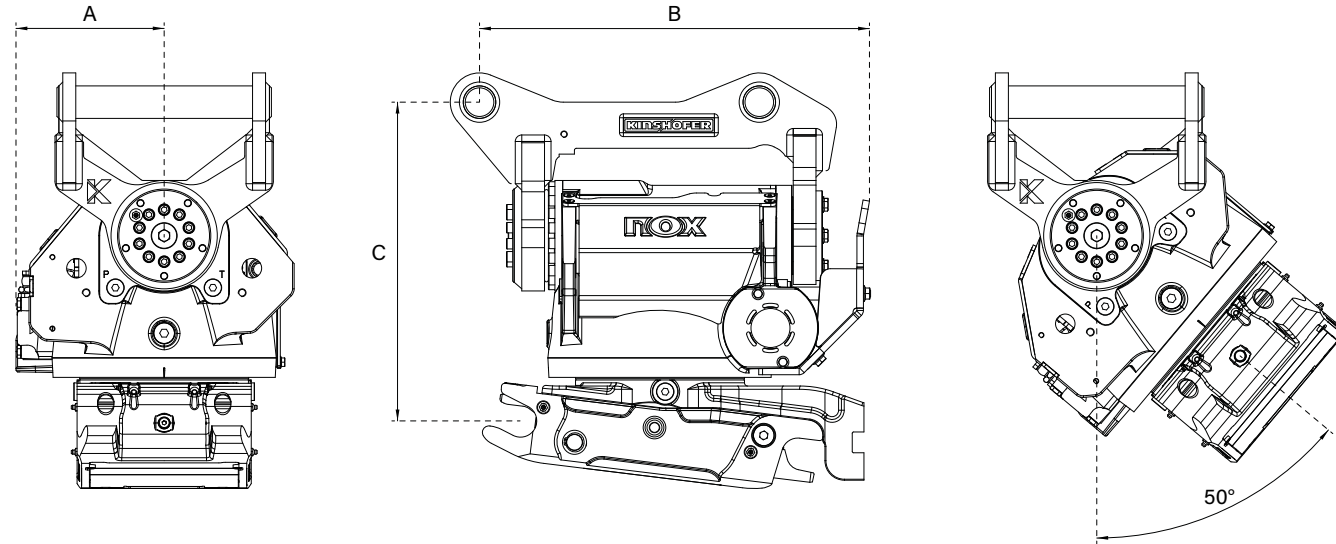
Four Facts about the use of Tiltrotators:

PRODUCTIVITY AND PROFITABILITY: Manage the same amount of work in less time.

SAFETY: The NOX Tiltrotator complies with all current safety regulations and helps the operator and surrounding workforce to achieve an accident-free environment.

VERSATILITY AND FLEXIBILITY: Increase the use of your machine dramatically and accept more jobs. Especially in conjunction with the NOX.

READY FOR THE FUTURE: The NOX tiltrotator comes GPS-ready with its very modern NOXProp+ Control System. The most common 3D Machine Control Systems can be implemented. Even retroactively.



With our NOX Tiltrotator, your attachments can be rotated by 360° continuously and tilted by up to 50° to both sides. Therefore, the efficiency of your machine will be increased dramatically as time and resources will be saved.



TR045NOX

TR07NOX

TR11NOX

TR14NOX

TR19NOX

TR25NOX

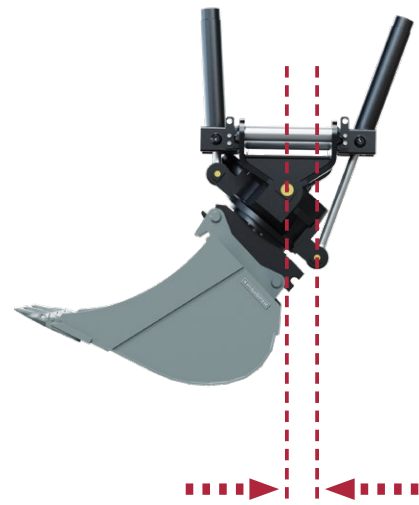
Operating weight	2.5 - 4.5 / 5,500 - 9,900	4 - 7 / 8,800 - 15,400	6 - 11 / 13,200 - 24,200	10 - 14 / 22,000 - 30,800	14 - 19 / 30,800 - 41,800	19 - 25 / 41,800 - 55,000
Weight* (from)	150 / 330	200 / 440	320 / 704	485 / 1,067	580 / 1,267	860 / 1,892
Width A* (from)	190 / 7.4	205 / 8.1	215 / 8.5	240 / 9.5	230 / 9.1	260 / 10.3
Length B* (from)	435 / 17.1	460 / 18.1	580 / 22.8	610 / 24.0	645 / 25.4	845 / 33.3
Height C* (from)	380 / 14.9	420 / 16.5	475 / 18.7	565 / 22.2	580 / 22.8	650 / 25.6
Recomm. bucket width max.	1,100 / 43.3	1,200 / 47.2	1,300 / 51.2	1,600 / 63.0	1,700 / 66.9	2,000 / 78.7
Breakout force max. (ISO)	40 / 8,800	50 / 11,000	75 / 16,500	110 / 24,200	150 / 33,000	170 / 37,400
Breakout torque max.	29 / 21,388	40 / 29,500	79 / 58,263	145 / 106,938	200 / 147,500	250 / 184,375
Tilt angle	2 x 45°	2 x 50°	2 x 50°	2 x 50°	2 x 50°	2 x 50°
Tilt torque (constant)	6.5 / 4,794	11 / 8,113	16 / 11,800	31 / 22,863	40.5 / 29,869	51.7 / 38,129
Rotation speed	8.5 per min	8.5 per min	8.5 per min	8.5 per min	8.5 per min	8.5 per min
Rotation torque	3,800 / 2,803	4,700 / 3,466	7,500 / 5,531	11,000 / 8,113	12,000 / 8,850	15,000 / 11,063
Hydraulic pressure max.	21 / 3,045	25 / 3,625	27 / 3,920	30 / 4,350	30 / 4,350	30 / 4,350
Recomm. pump capacity CSP	30-80 / 7.9-21.1	30-80 / 7.9-21.1	40-100 / 10.6-26.4	80-160 / 21.1-43.3	100-180 / 26.4-47.6	120-200 / 31.7-52.8
Recomm. pump capacity DF04/06/10	15/32 / 3.9/8.5	15/32 / 3.9/8.5	21/40 / 5.6/10.5	40/45 / 10.5/11.9	60/50 / 16.0/13.0	70/70 / 18.5/18.5
Electric swivel	-	optional	optional	optional	optional	optional

*Specifications depend on the machine configuration (upper bracket and lower quick coupler)

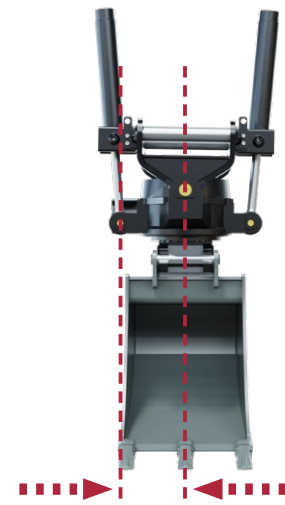


2 YEARS WARRANTY
NOX TILTROTATORS

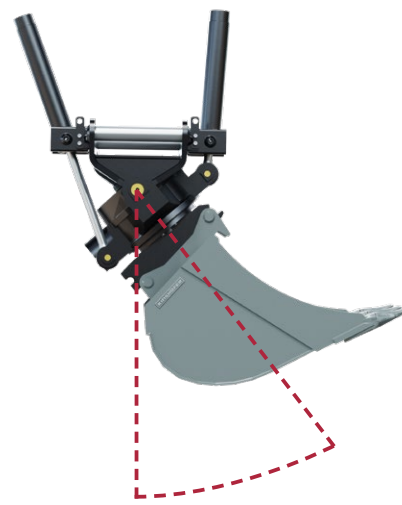
It is our goal that you can always rely on your attachment and make you feel confident of its quality and longevity. KINSHOFER stands for attachments of highest quality. All our employees and our quality management are committed to this quality every day. We are confident of the quality level we provide and therefore grant a 2-year-standard-warranty. Enjoy working with them and experience and create quality.



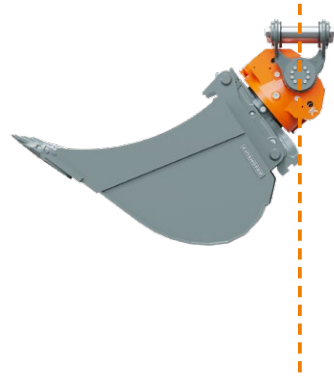
TILTROTATOR WITH CYLINDERS
Minimum pivot point distance



TILTROTATOR WITH CYLINDERS
Maximum pivot point distance



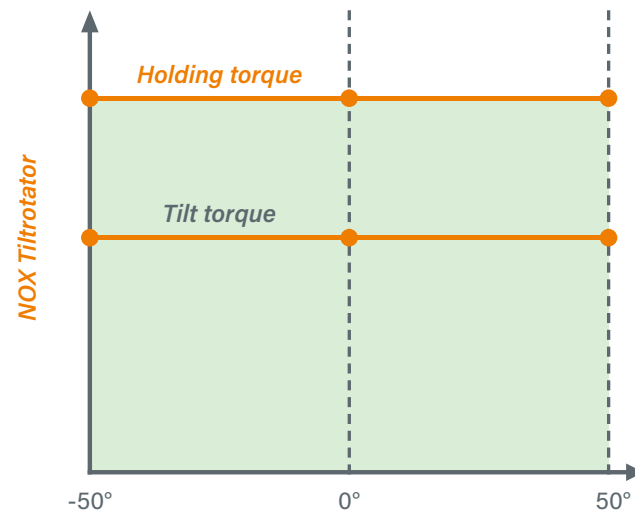
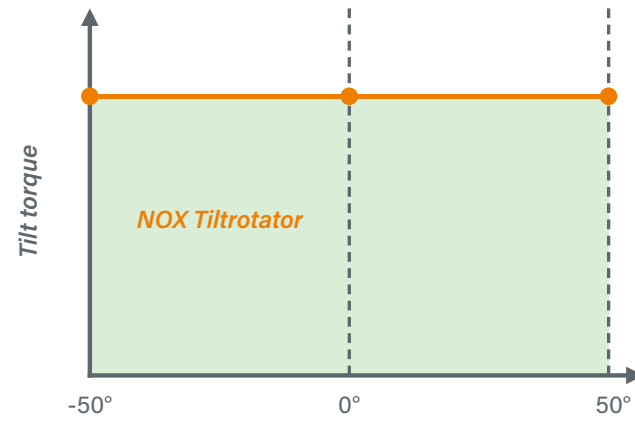
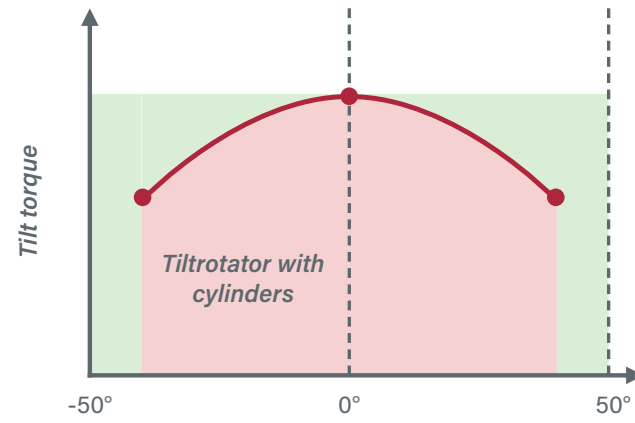
TILTROTATOR WITH CYLINDERS
Narrow tilt angle



NOX TILTROTATOR
No pivot point, therefore high and constant tilt torque



NOX TILTROTATOR
Maximum tilt angle ($\leq 2 \times 50^\circ$)



NOX
Tilt torque

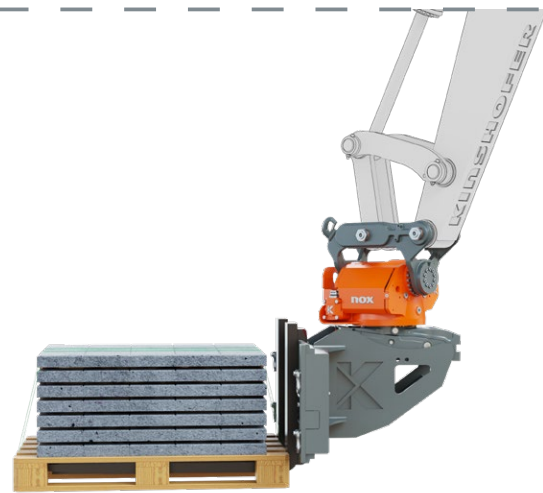
The cylinderless, extremely flat drive provides for a very low height as well as a narrow width. An elliptic piston generates a high and constant tilt torque thanks to its single gearing. The robust cast housing features a high stability due to a special material alloy, guaranteeing a long life even under the toughest conditions. The extremely rugged and strong drive for difficult tasks has a proper greasing and is thus low-maintenance.

NOX
Tilt angle

360° continuous rotation and up to 2 x 50° tilt angle turn your machine into a multifunctional allrounder, increasing the flexibility and efficiency of all your attachments.

NOX
Holding torque

The NOX Tiltrotators are equipped with counter-balance valves, providing firm load holding in the desired position.



NOX TILTROTATOR
Pilot check valve ensures a high holding torque



NOX Tiltrotator

SYSTEM:

UPPER BRACKET & LOWER QUICK COUPLER

The Tiltrotator can be mounted directly to the excavator arm (direct mount) or it can be "Sandwich" mounted to the excavator by a quick coupler. Preferably, the excavator coupler is the same as the lower quick coupler on the NOX Tiltrotator, but it is not necessarily required. The Tiltrotator can thus be uncoupled and coupled again in no time. The lower quick coupler allows for a safe and fast exchange between attachments.

DESIGN:

SELF-CONTAINED UNIT

The compact design with its fully integrated tilt and rotation unit provides highest safety against damage. There are no protruding cylinders or piston rods that can be damaged, increasing the reliability of the NOX. In addition, the low design maintains higher breakout forces of the machine.



SET-UP:

COMPACT DESIGN

The cylinderless, extremely low and narrow built drive unit allows for very narrow bucket width, that are usually not wider than the excavator boom. Therefore, digging down in deep trenches becomes possible and very easy.

SAFETY:

SAFE WORKING AREA

The increased working radius reduces the need for repositioning your excavator to a minimum. Manual works such as manual digging in the danger zone by a co-worker are not necessary, as these works can be managed from the excavator cabin with the NOX Tiltrotator. The S-Lock quick coupler with front-lock prevents the attachments from falling down unintendedly.

NOX Benefits

FLEXIBLE OPERATION

Fast and uncomplicated response to requirements to be more competitive.

HIGHER SAFETY

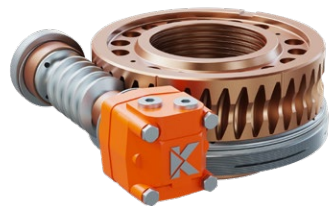
Manual works within the danger area are reduced to a minimum.

LESS WEAR

The compact and extremely robust design without hydraulic cylinders lowers the risk of damages.

HIGHER EFFICIENCY

Working more efficiently saves consumables and labor costs and reduces the required working times. The tasks can thus be finished faster and the wear is kept to a minimum.



WORM DRIVE

The oversized worm gear absorbs shock loads with ease. The compact diameter and yet high torque ensures a very slim design, hence keeps the overall width of the NOX extremely small.



HOUSING

The robust cast housing features a high stability due to a special material alloy, guaranteeing a long life even under the toughest conditions. The integrated motor cover protects the hydraulic motor of the worm drive from damage from below. The quality of our precision components is ensured by 3D coordinate measuring machines with tactile and optical measuring sensors.



INTEGRATED GRIPPER TRG

With the integrated gripper you get an additional attachment for handling poles, tubes and curb stones. The gripper is integrated at the lower quick coupler and does not affect the height or the attachment cross-movement.

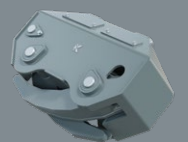
Gripper module also available as attachment version F-H with different adapter systems.



Optional accessories



TRG gripper



RR-TRG gripper



RAILROAD GRIPPER RR-TRG

The RR-TRG gripper has been designed especially for heavy duty tasks, such as gripping railroad sleepers or rails. The extremely strong gripper module has been constructed for efficient gripping at a 40° angle. The gripper unit can be removed quickly and easily.



HIGH-FLOW SWIVEL

The optional high-flow swivel provides industry leading flows for attachments that require more flow to operate properly. As an option, an electric rotary unit for quick coupler sensors and attachments with switch valve (mainly in railway construction) can be used.

Type	Opening (mm/in)	Closing time (sec.)	Closing force (kN/lbf)	Capacity (kg/lbs)
TRG07	424 / 16.7	1.5 sec.	7.5 / 1,650	300 / 660
TRG11	644 / 25.4	1.5 sec.	10 / 2,200	500 / 1,100
TRG19	825 / 32.5	3.0 sec.	18.5 / 4,070	900 / 1,980
TRG25	1,050 / 41.3	2.0 sec.	19.5 / 4,290	1,400 / 3,080
RR-TRG	822 / 32.4	3.9 sec.	30.1 / 6,622	5,000 / 11,000

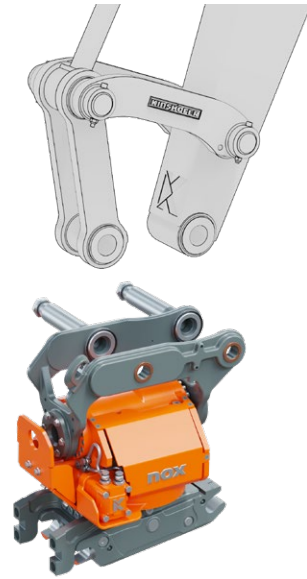
The RR-TRG gripper is only available for TR19NOX and TR25NOX.

MOUNTING TO EXCAVATOR ARM

When mounting the NOX Tiltrotator directly to the excavator dipper, the tiltrotator can use its maximum force. The "Sandwich" mounted Tiltrotator features a quick coupling adapter at the top to accept pick up by the machine coupler.

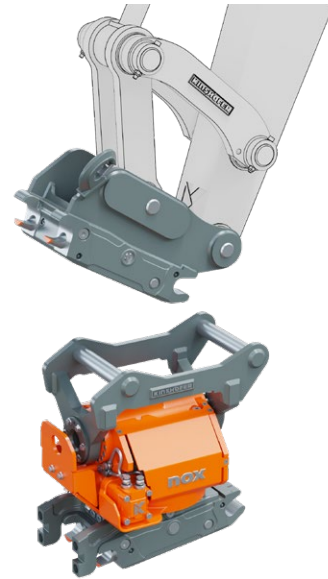
DIRECT MOUNT

- > Lower height
- > Higher force transmission



"SANDWICH"-STYLE MOUNT

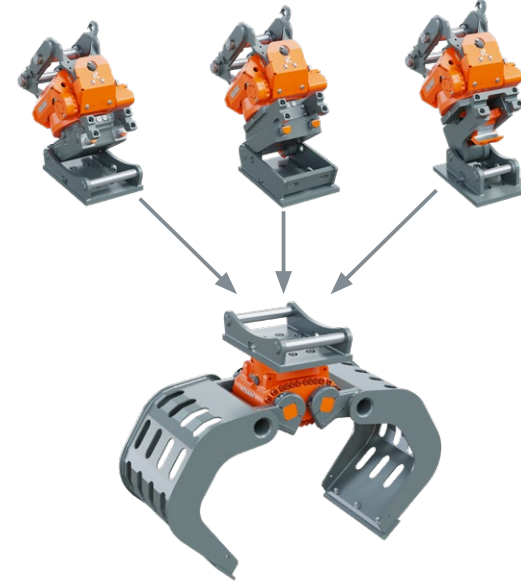
- > Can be used with different excavators of the same class
- > Can be uncoupled to use attachments that do not require a Tiltrotator



QUICK CHANGE ADAPTATIONS:

COMPATIBLE ADAPTATIONS FOR YOUR REQUIREMENTS

All attachments can be supplied with the compatible L-Lock, S-Lock or D-Lock adaptors. To ensure compatibility with your existing systems, Kinshofer also offers adaptations for all common quick change systems.

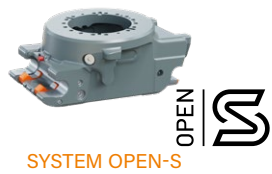


Functional exchange, depending on demands!

As a global company we know that customers of different regions become familiar with certain styles and characteristics of products, including quick couplers.

We constantly improve our designs for higher productivity and greater safety and we also understand that customers may already own existing products which require a compatible coupler solution to keep on using them. We are generally differentiating between three different quick coupler systems:

FULLY HYDRAULIC QUICK COUPLER SYSTEM



SYSTEM OPEN-S



SYSTEM LIEBHERR &
SYSTEM LIEBHERR + LIKUFIX



SYSTEM OILQUICK

HYDRAULIC QUICK COUPLER SYSTEM



SYSTEM S-LOCK



SYSTEM D-LOCK



SYSTEM VERACHTERT



SYSTEM L-LOCK



SYSTEM OILQUICK

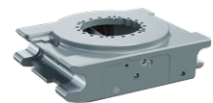


SYSTEM LIEBHERR

MECHANIC QUICK COUPLER SYSTEM



SYSTEM S-LOCK



SYSTEM OILQUICK



SYSTEM L-LOCK



SYSTEM LIEBHERR

FULLY HYDRAULIC QUICK COUPLERS

Fully hydraulic quick couplers connect the worktool mechanically as well as hydraulically without leaving the cabin. No need to connect hoses anymore.

HYDRAULIC QUICK COUPLERS

The hydraulic quick coupler allows for an efficient and safe mounting of the attachment without leaving the cabin. The spring-pretensioned locking pins provide for a force-fit connection without play. Besides the special spring-locking system, the carrier pin (system S-Lock) is also secured mechanically. The attachment cannot get loose.

MECHANIC QUICK COUPLERS

An automatic spring-locking system facilitates the coupling of the tool. By simply turning a socket, the coupler is opened or closed for the tool exchange. This provides a high functional safety; the spring loaded system is over-center locking. Besides the special spring-locking system, the carrier pin is also secured mechanically.

NOXProp+ & NOXProp CSP - CONTROL SYSTEM

Although this control system only requires one hydraulic function from the excavator, all Tiltrotator functions can be used at the same time. Also functions like steering/driving control, boom swing and dozer blade etc. can be controlled optionally. All functions are controlled proportionally and a separate control system is installed at the excavator. The joysticks of the machine will be replaced by new joysticks provided by KINSHOFER.

KEY FEATURES NOXProp+

- ▶ Optimal NOX performance thanks to perfectly adjusted control
- ▶ Bright and high-definition touchscreen
- ▶ Autocalibration
- ▶ Position indicator at the display
- ▶ 4 different user profiles with up to 10 tool profiles (more flexibility)
- ▶ CAN Bus system
- ▶ All main settings can be adjusted directly on the touchscreen, no laptop/smartphone necessary
- ▶ Direct mode: When the NOX is disconnected, it is possible to control the original AUX lines in both directions
- ▶ Connectivity (WiFi, LTE, GPS, Bluetooth)
- ▶ Easy installation
- ▶ Integration with 2D/3D excavation system - NOXGeo
- ▶ BIM-ready



NOXProp+
TOUCHSCREEN

MACHINE REQUIREMENTS

CSP - NOXProp+ & NOXProp

- ▶ Single-acting hydraulic circuit (hammer line)
- ▶ Pressure line
- ▶ Tank line (free return directly to tank)



NOXProp
CONTROL UNIT

KEY FEATURES NOXProp

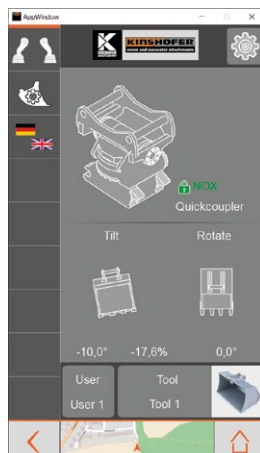
- ▶ All functions can be controlled proportionally
- ▶ All parameters can be adjusted individually with laptop
- ▶ 4 different user profiles with up to 10 tool profiles (more flexibility)
- ▶ Direct mode: When the NOX is disconnected, it is possible to control the original AUX lines in both directions.



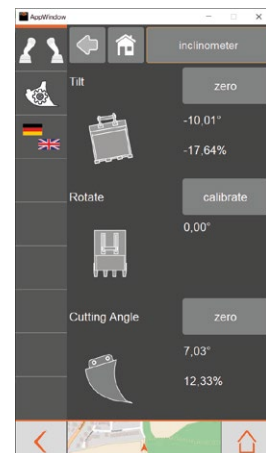
BG-MODULE CONNECTOR

TOUCHSCREEN: ERGONOMIC CONTROL UNIT

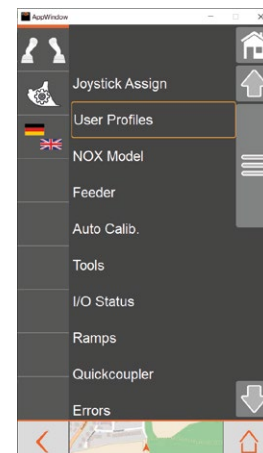
- ▶ Highly bright display - legible even at direct sunlight
- ▶ Easy switch between different profiles
- ▶ Locking/unlocking of quick coupler
- ▶ Sensor control of the quick coupler
- ▶ Tool profile settings
- ▶ Adjustment of single function speed
- ▶ Reliable ram mount



Home display
attachment & quick coupler



Geometry overview of
attachment and interface to
2D/3D systems



Easy and logical menu
navigation



Individual function
configuration of joystick
buttons



STANDARD-JOYSTICK
FRONT



STANDARD-JOYSTICK
BACK

Joysticks

The L8 is the multifunctional ergonomic joystick grip that has set a new standard with its innovative, functional design. You can control two roller functions simultaneously with your thumb and index finger. Up to three rollers can be installed, two for the thumb and one for the index finger.

On the grip there is room for up to nine buttons, meaning that most functions can be gathered in a small area. (Joysticks must be replaced when CSP - NOXProp+ or NOXProp is installed.)

OPTIONALLY EXTENDABLE:



F-N-R
JOYSTICK OPTION



ADDITIONAL PROP
JOYSTICK OPTION



ADDITIONAL PROP &
F-N-R
JOYSTICK OPTION

DF04

CONTROL SYSTEM

The DF04 control system requires 2 double-acting hydraulic circuits. Only two functions, e.g. rotation and tilting, can be realized simultaneously. In order to control the attachment or the quick coupler, one of the two hydraulic circuits is separated by a switch valve, installed on the NOX Tiltrotator. Therefore, up to two extra functions, e.g. quick coupler, can be realized.

MACHINE REQUIREMENTS FOR DF04

- Hydraulic rotation circuit to control the NOX rotation
- Hydraulic circuit with high flow controls tilt, additional functions and quick coupler
- Control system for switch between tilt, additional functions and quick coupler
- One free ON/OFF button at existing joysticks to control the switch between the different functions



DF04 CONTROL UNIT

DF06

CONTROL SYSTEM

The DF06 control system requires 2 double-acting hydraulic circuits for the rotation and tilt movement of the NOX Tiltrotator. For the use of a hydraulic quick coupler, an additional circuit is required. The tilt function can be switched by pressing a button on the joystick to the extra function controlling e.g. the opening and closing of a grab.

MACHINE REQUIREMENTS FOR DF06

- Hydraulic rotation circuit to control the NOX rotation
- Hydraulic circuit with high flow controls tilt and extra function, e.g. grab
- Control system to switch between tilt and extra function
- One free ON/OFF button at existing joysticks to control the switch between tilt and extra function
- Original joysticks remain
- No additional control required - all hydraulic circuits on the excavator
- Each function needs a double-acting hydraulic circuit

DF10

DIRECT FEED SYSTEM

The DF10 control system requires at least 2 double-acting hydraulic circuits for the rotation and tilt movement of the NOX Tiltrotator. Including the lines of the quick coupler function, two other hydraulic circuits, e.g. open/close grab and open/close intergrated gripper, can be connected to the NOX Tiltrotator. Furthermore, an additional drain line can be installed.

MACHINE REQUIREMENTS FOR DF10

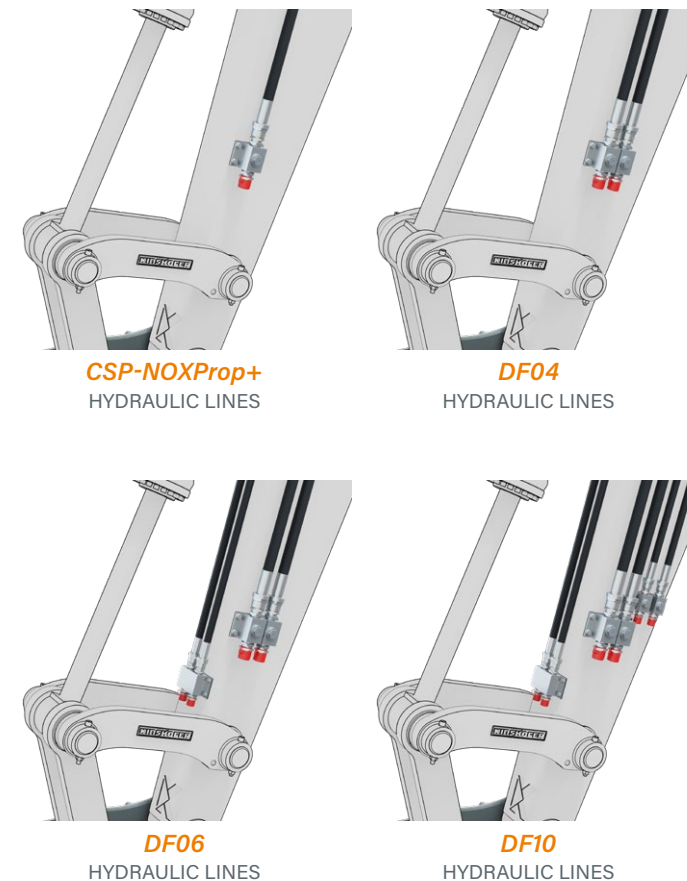
- For complete control of the NOX, 4 double-acting hydraulic circuits are required: rotation, tilt, extra function 1 and extra function 2 (gripper), one quick coupler circuit
- Special solution: division of one hydraulic circuit with a switch valve, so two different functions can be controlled by one control circuit. The switch valve has to be installed at an adequate place at the carrier machine or the NOX
- No additional control required - all hydraulic circuits on the excavator
- Original joysticks remain
- No valves or cables on the NOX required
- Each function needs a double-acting hydraulic circuit
- Minimal configuration: 2 hydraulic circuits (tilt and rotation) when mechanical quick coupler and no hydraulic attachment

DF04, DF06 & DF10 Control systems

	NOXProp+	DF04	DF06	DF10
NOXGeo (GPS-ready)	✓	●	●	●
Autocalibration	✓	⊖	⊖	⊖
Angle position indication	✓	⊖	⊖	⊖
Individual operator settings	✓	⊖	⊖	⊖
Individual speed setting	✓	⊖	⊖	⊖
Touchscreen in cabin	✓	⊖	⊖	⊖
Trouble shooting on display	✓	⊖	⊖	⊖
Connectivity tools (Bluetooth, LTE, WiFi)	✓	⊖	⊖	⊖
Fully proportional control	✓	depending on machine	depending on machine	depending on machine
Changing roller position	✓	⊖	⊖	⊖
Individual tool settings	✓	⊖	⊖	⊖
Tilt, rotation & extra in same movement	✓	⊖	⊖	depending on machine
High flow attachment	●	⊖	⊖	●
Quick coupler safety sensors	●	⊖	⊖	⊖
Quick coupler control	✓	⊖	⊖	⊖
Driving/steering function	●	⊖	⊖	⊖
Fleet management	●	●	●	●
Machine assistance systems	●	⊖	⊖	⊖

✓ Standard

● Optional



Always the right control system depending on the machine's hydraulic configuration

The table provides a quick overview on the different functions and for which control system they are available. Short summary on machine requirements:

CSP: NOXProp+ Hammer/shear circuit

DF04 2 x proportional double-acting circuits

DF06 2 x proportional double-acting circuits (tilt and rotation) 1 x hydraulic quick coupler circuit

DF10 2 x proportional double-acting circuits (tilt and rotation) 1 x hydraulic quick coupler circuit 1 x double-acting high pressure circuit (compactor) 1 x double-acting low pressure circuit (gripper)

NOXGeo

SENSOR TECHNOLOGY

With the NOXGeo, sensors send position data to the digital control at the NOXprop+ touchscreen in the driver's cabin. Thereby, the attachments are connected to the digital technology of the excavator/machine control. The NOXGeo system also allows the functionality to interface with 2D/3D systems of all common manufacturers thanks to the open system.



GPS

INTEGRATION OF 2D/3D SYSTEMS

It is possible to integrate various makes of GPS into the NOX control system. Thanks to the GPS you can use the excavator to collect and define points. Connect the computer of the machine via the integrated GSM-modem to get fast support and transfer data. With our 3D-system you can take the last step towards machine control.



TILT SENSOR TILT MOVEMENT



The exact position of the tiltrotator's tilt movement and the attachment is transferred directly to the control display in the driver's cabin by means of the tilt sensor.

ROTATION SENSOR ROTATION MOVEMENT



The KINSHOFER rotation sensor shows the exact position of the tiltrotator and the attachment during rotation. The determined data is transferred directly to the control display in the driver's cabin.

NOXGeo Sensor technology

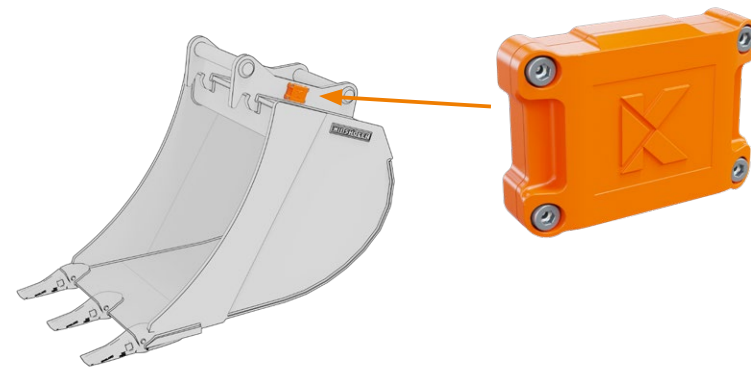
By means of the sensors, the manual staking out of the work area by a person is reduced, as the precise dimensioning is shown on the display in the driver's cabin. The controlled and exact excavation of the required amount results in large time savings and reduced fuel consumption. Furthermore, the attachments and the carrier wear less.

KINSHOFER equips the NOX Tiltrotator with the rotation sensor, the tilt sensor comes from the 2D/3D system provider. In combination with certain excavator systems and makes, the NOXGeo system allows for an auto-turning function.

SYSTEM:

SMARTTAG

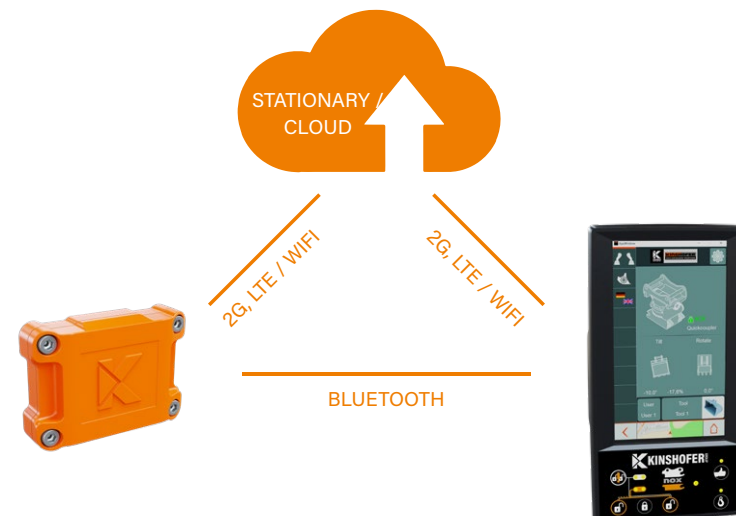
The SmartTag is a microcontrol-based tool with a communication functionality via mobile radio and an internal storage to locally back up operating information, error information, etc. The unit only measures 15 cm, it is waterproof, shock resistant, thermo-stable from -25 up to 80 °C, shockproof and has an internal energy supply for approx. 2 years.



NETWORKING:

DATA EXCHANGE

The tool management system consists of a SmartTag at the attachment as well as its interconnection with the terminal and/or cloud. The SmartTag measures vibrations and positions of the attachment. This information is directly transferred to the cloud via LTE and is thus independent from the machine. From there, the data can be read with every terminal device. The way, frequency and send release of the data exchange can be set individually.



SMARTTAG FUNCTIONS

GPS-TRACKING

The function GPS-tracking is used to detect the location of an attachment by entitled persons.

DIGITAL TYPE PLATE

The digital type plate provides the identical data as does the mechanical type plate like serial number, name and weight, as well as operating pressure.

PREVENTIVE MAINTENANCE

This function is used for issuing a service recommendation in which a preventive service for the respective attachment will be recommended in order to prevent downtimes.

FLEET MANAGEMENT CONNECTION

ACCELERATION MEASUREMENT

This function of the three-axe acceleration sensors is the detection of the attachment's position as well as of shock values.

BLUETOOTH-CONNECTIVITY

for tool recognition.

THEFT PROTECTION

This function shall be used to find an attachment by locating.

WORKING HOURS

Especially important for rental companies - working hours can be recorded and reported.

SmartTag Tooltracker

The SmartTag and the cloud-based tool management support the driver and operator with the efficient choice and detection of suitable tools for each special task. Operators have their complete fleet under control and thus avoid downtimes and maximize their tool workload.

The SmartTag combines two up to now separated functions in one sensor: tool detection and tracking. As digital type plate, the tool tracker files information on geometries, name, manufacturer, year, ID and operation (e.g. required operating pressure of attachment). At the same time, it gathers, analyzes and detects operating hours, cycles and work processes. Thank to GPS position and timestamp, you receive data like when and where an attachment had been put down and how it had been used.

LANDSCAPING

The NOX Tiltrotator provides a third dimension, resulting in a reduced need to reposition your carrier machine. Ground damages and subsequent recultivation works are minimized. When laying out a garden or protecting slopes from erosion, the functionality of the NOX strongly shortens the construction time.



GENERAL CONSTRUCTION

Excavation or filling works can be realized precisely thanks to the NOX Tiltrotator with its tilt and turn function. The work can be done within the reach of the excavator arm without repositioning the carrier machine in a faster and more profitable way. The working safety on site is also increased when handling construction material.



RAIL CONSTRUCTION

Thanks to the NOX Tiltrotator, a lot of works that are difficult or impossible in rail construction due to the limited lateral mobility of the carrier machine can be realized. Works under already existing rails or at slopes as well as the exact positioning of sleepers are possible without repositioning the excavator thanks to the tilt and turn function.



ROAD CONSTRUCTION

When constructing roads, time is a crucial factor, but also precision and safety when e.g. levelling grounds, working at embankments or excavating soil. Thanks to the tilt and turn function of the NOX Tiltrotator, all works can be managed safely from the driver's cabin and less manpower is required in the danger area.



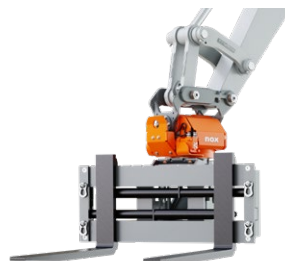
CABLE DUCT WORKS

The NOX Tiltrotator enables precise working under, in between or close to already existing cables. By tilting and turning the attachment in the required position, you can reduce manual cable duct works. When maintaining existing cable ducts or installing new ones, works can be realized much more effectively and after all more safely.



MATERIAL HANDLING

Precise handling of e.g. palletized curbstones is no problem with the NOX Tiltrotator. The high and constant holding torque allows for a safe holding of loads. When operating in narrow areas, loads can be held e.g. around scaffolding or lifted over a fence.



SEWAGE WORKS

Working in sewer systems is characterized by little space and narrow areas. With a NOX Tiltrotator you can easily dig around gully wells or excavate from the required angle without repositioning the excavator. The endless rotation and the tilt angle to both sides allows for the exact positioning of the attachment.

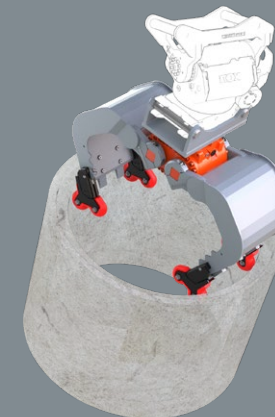


DEMOLITION

The immediate separation of debris at the demolition site saves a lot of time and recycling costs. Some building materials have to be disposed separately and with the NOX Tiltrotator you can separate those precisely from the other materials. After loading the material, the construction site can be cleared with e.g. a brush mounted to the NOX.



NOX Large variety of KINSHOFER attachments

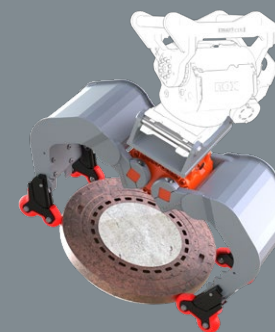


4-Grip

Easy mounting - easy handling of your tasks: that is our new 4-Grip for our demolition and sorting grabs of the D-series up to 9t operating weight as well as our multi purpose grabs of the A-series up to 9t. The device is easily bolt onto the shells and you can grab concrete units, curbstones etc. smoothly.

Thanks to its special kinematics you can grab items not only when closing the shells but also when opening. Shaft rings can be loaded and unloaded fast and easy without damaging them!

- ▶ **Economic solution**, as it is only an accessory that increases the flexibility of your attachment
- ▶ **Robust design**
- ▶ **Plastic compression rolls** avoid damage of the material to be gripped
- ▶ **Fast and easy mounting and removal** on site
- ▶ **Low additional weight**: only 28 kg in total
- ▶ **High load capacity of max. 900 kg (depending on model)**



Tiltrotator TR045NOX

Type	Breakout force max. (ISO) (kN/lbf)	Tilt angle (°)	Tilt torque (kNm / ft. lbs)	Rotation torque (kNm / ft.lbs)	Weight (from kg / lbs)	Operating weight (t / lbs)
TR045NOX	40 / 8,800	2 x 45°	6.5 / 4,794 constant	3.8 / 2,803	150 / 330	2.5 - 4.5 / 5,500 - 9,900

Standard package: TR045NOX, upper bracket direct mount, quick coupler system S-Lock, NOX-Control NOXProp+
Other adapter, quick coupler & control systems on request.

Gripper module

Type	Opening (mm/in)	Closing force (kNm / ft. lbs)	Load capacity (kg/lbs)	Weight (from kg / lbs)
F07H	424 / 16.7	7.5 / 1,650	300 / 660	77 / 169.4

Package consists of: gripper with integrated adapter

Other adapter systems on request.

Profile buckets

Type	Bucket types	Width (mm/in)	Volume (liter/c.y.)	Weight (kg/lbs)
SKK4-60	trench bucket	300 / 12	60 / 0.078	50 / 110
SKD4-80	digging bucket	450 / 18	80 / 0.105	65 / 143
SKD4-115	digging bucket	600 / 24	115 / 0.150	80 / 176
SKP2-110	grading bucket	1,000 / 42	110 / 0.144	75 / 165

Package consists of: grading bucket / cable bucket, adapter system S-Lock (S40)

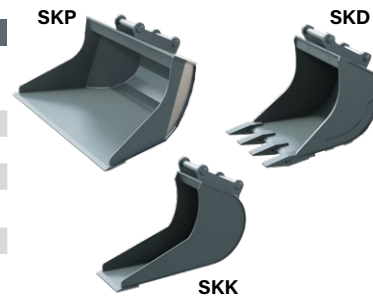
Other bucket types, widths or volumes on request.

Fork tines

Type	Tine adjustment	Load capacity max. (kg/lbs)	Width (mm/in)	Weight (kg/lbs)	Operating weight (t/lbs)
GAF6	mechanical	1,900 / 4,180	1,000 / 39.4	140 / 308	3 - 6 / 6,600 - 13,200
GAH6	hydraulically	1,900 / 4,180	1,000 / 39.4	160 / 352	3 - 6 / 6,600 - 13,200

Package consists of: fork tines, frame with adapter system S-Lock (S40)

Other adapter systems on request.



Demolition and sorting grabs with HPXdrive or hydraulic cylinder

Type	Width (mm/in)	Opening (mm/in)	Volume (liter/c.y.)	Weight (kg/lbs)	Operating weight (t/lbs)	Load capacity form locking (kg/lbs)	Closing force (kN/lbf)
D05TR-40 HPX	420 / 16.5	1,045 / 41.1	75 / 0.1	240 / 528	3 - 6 / 6,600 - 13,200	1,500 / 3,300	18 / 3,960
D05TR-40	420 / 16.5	1,212 / 47.7	60 / 0.08	160 / 352	3 - 6 / 6,600 - 13,200	1,500 / 3,300	21.5 / 4,730

Package consists of: demolition and sorting grab, hydraulic block for HPX, adapter system S-Lock (S40)

Available as an option: 4-Grip

Other adapter systems on request.

Multi purpose grabs with HPXdrive or hydraulic cylinder

Type	Width (mm/in)	Opening (mm/in)	Volume (liter/c.y.)	Weight (kg/lbs)	Operating weight (t/lbs)	Load capacity form locking (kg/lbs)	Closing force (kN/lbf)
A05TR-40 HPX	386 / 15.2	1,043 / 41.1	70 / 0.09	225 / 495	3 - 6 / 6,600 - 13,200	1,500 / 3,300	18 / 3,960
A05TR-40	386 / 15.2	1,233 / 48.5	70 / 0.09	165 / 363	3 - 6 / 6,600 - 13,200	1,500 / 3,300	21 / 4,620

Package consists of: multi purpose grab, hydraulic block for HPX, adapter system S-Lock (S40)

Available as an option: 4-Grip

Other adapter systems on request.

4-Grip

Type	For grab types	Load capacity (kg/lbs)	Weight (kg/lbs)	Operating weight (t/lbs)
KM 685-05-D04-A04	D05TR / A05TR	600 / 1,320	24 / 52.8	<6 / <13,200

Compactor wheel

Type	Diameter compactor wheel (mm/in)	Width compactor wheel (mm/in)	Weight (kg/lbs)	Operating weight (t/lbs)
KRC1-400	500 / 19.7	400 / 15.8	300 / 660	1.5 - 4 / 3,300 - 8,800

Package consists of: compactor wheel

Optional adapter systems and other widths on request.

Tiltrotator TR07NOX

Type	Breakout force max. (ISO) (kN/lbf)	Tilt angle (°)	Tilt torque (kNm / ft. lbs)	Rotation torque (kNm / ft.lbs)	Weight (from kg / lbs)	Operating weight (t / lbs)
TR07NOX	50 / 11,000	2 x 50°	11 / 8,113 constant	4.7 / 3,466	200 / 440	4 - 7 / 8,800 - 15,400

Standardpackage: TR07NOX, upper bracket direct mount, quick coupler system S-Lock, NOX-Control NOXProp+
Other adapter, quick coupler & control systems on request.

Gripper module

Type	Opening (mm/in)	Closing force (kN/lbf)	Load capacity (kg/lbs)	Weight (from kg/lbs)
TRG07	424 / 16.7	7.5 / 1,650	300 / 660	40 / 88
F07H	424 / 16.7	7.5 / 1,650	300 / 660	77 / 169

Package consists of: gripper / gripper with integrated adapter
Other adapter systems on request.

Profile buckets

Type	Bucket types	Width (mm/in)	Volume (liter/c.y.)	Weight (kg/lbs)
SKK6-160	trench bucket	300 / 12	160 / 0.209	75 / 165
SKD6-175	digging bucket	450 / 18	175 / 0.229	95 / 210
SKD6-230	digging bucket	600 / 24	230 / 0.301	120 / 265
SKD6-340	digging bucket	900 / 36	340 / 0.445	175 / 386
SKP6-240	grading bucket	1,200 / 48	240 / 0.314	130 / 287

Package consists of: grading bucket / cable bucket, adapter system S-Lock (S40)
Other bucket types, widths or volumes on request.

Levelling bars with roller

Type	Width (mm/in)	Weight (kg/lbs)	Operating weight (t/lbs)
AVB 8-1800	1,800 / 70.9	200 / 440	<8 / <17,600
AVB 8-2100	2,100 / 82.7	300 / 660	<8 / <17,600
AVB 8-2200	2,200 / 86.6	420 / 924	<8 / <17,600

Package consists of: levelling bar with roller, adapter system S-Lock (S45)
Other adapter systems on request.

Fork tines

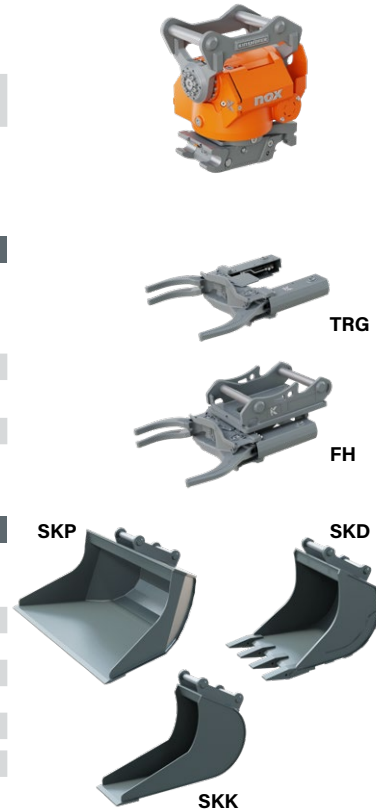
Type	Tine adjustment	Load capacity max. (kg/lbs)	Width (mm/in)	Weight (kg/lbs)	Operating weight (t/lbs)
GAF6	mechanical	1,900 / 4,180	1,000 / 39.4	140 / 308	3 - 6 / 6,600 - 13,200
GAH6	hydraulically	1,900 / 4,180	1,000 / 39.4	160 / 352	3 - 6 / 6,600 - 13,200
GAF8	mechanical	1,900 / 4,180	1,200 / 47.3	190 / 418	6 - 8 / 13,200 - 17,600
GAH8	hydraulically	1,900 / 4,180	1,200 / 47.3	210 / 462	6 - 8 / 13,200 - 17,600

Package consists of: fork tines, frame with adapter system S-Lock (S45)
Other adapter systems on request.

Cone crusher bucket

Type	Rotation torque (Nm/ft. lbs)	Speed range (rpm)	Drum diameter (mm/in)	Length (mm/in)	Weight (kg/lbs)	Operating weight (t/lbs)
Cone Crusher	6,320 - 10,112 / 4,661 - 7,458	36 - 100	600 / 26.6	1,300 / 51.2	376 / 827	3 - 10 / 6,600 - 22,000

Package consists of: cone crusher bucket
Optional adapter systems on request.



Demolition and sorting grabs with HPXdrive or hydraulic cylinder

Type	Width (mm/in)	Opening (mm/in)	Volume (liter/c.y.)	Weight (kg/lbs)	Operating weight (t/lbs)	Load capacity form locking (kg/lbs)	Closing force (kN/lbf)
D07TR-45 HPX	470 / 18.5	1,350 / 53.1	150 / 0.2	310 / 682	5 - 8 / 11,000 - 17,600	2,000 / 4,400	18 / 3,960
D07TR-45	470 / 18.5	1,345 / 53	90 / 0.12	180 / 396	5 - 8 / 11,000 - 17,600	2,000 / 4,400	21 / 4,620

Package consists of: demolition and sorting grab, hydraulic block for HPX, adapter system S-Lock (S45)
Available as an option: 4-Grip
Other adapter systems on request.

Multi purpose grabs with HPXdrive or hydraulic cylinder

Type	Width (mm/in)	Opening (mm/in)	Volume (liter/c.y.)	Weight (kg/lbs)	Operating weight (t/lbs)	Load capacity form locking (kg/lbs)	Closing force (kN/lbf)
A07TR-45 HPX	450 / 17.2	1,344 / 52.9	145 / 0.19	305 / 671	5 - 8 / 11,000 - 17,600	2,000 / 4,400	18 / 3,960
A07TR-45	450 / 17.2	1,340 / 52.8	100 / 0.12	225 / 495	5 - 8 / 11,000 - 17,600	2,000 / 4,400	21 / 4,620

Package consists of: multi purpose grab, hydraulic block for HPX, adapter system S-Lock (S45)
Available as an option: 4-Grip
Other adapter systems on request.

Clamshell buckets with HPXdrive

Type	Width (mm/in)	Opening (mm/in)	Volume (liter/c.y.)	Weight (kg/lbs)	Operating weight (t/lbs)	Load capacity (kg/lbs)	Closing force (kN/lbf)
C07TR-40 HPX	400 / 15.8	1,110 / 43.7	115 / 0.15	295 / 649	3 - 7 / 6,600 - 15,400	3,000 / 6,600	22 / 4,840
C07TR-50 HPX	500 / 19.7	1,110 / 43.7	140 / 0.18	310 / 682	3 - 7 / 6,600 - 15,400	3,000 / 6,600	22 / 4,840
C07TR-60 HPX	600 / 23.6	1,110 / 43.7	170 / 0.22	325 / 715	3 - 7 / 6,600 - 15,400	3,000 / 6,600	22 / 4,840

Package consists of: clamshell bucket, hydraulic block for HPX, adapter system S-Lock (S45)
Other adapter systems on request.

4-Grip

Type	For grab types	Load capacity (kg/lbs)	Weight (kg/lbs)	Operating weight (t/lbs)
KM 685-05-D06/09-A06/09	D07TR & A07TR	600 / 1,320	28 / 61.6	<11 / <24,200

Compactor wheel

Type	Diameter compactor wheel (mm/in)	Width compactor wheel (mm/in)	Weight (kg/lbs)	Operating weight (t/lbs)
KRC2-500	600 / 26.6	500 / 19.7	330 / 726	4 - 8 / 8,800 - 17,600

Package consists of: compactor wheel
Optional adapter systems and other widths on request.



Tiltrotator TR11NOX

Type	Breakout force max. (ISO) (kN/lbf)	Tilt angle (°)	Tilt torque (kNm / ft. lbs)	Rotation torque (kNm / ft.lbs)	Weight (from kg / lbs)	Operating weight (t / lbs)
TR11NOX	75 / 16,500	2 x 50°	16 / 11,800 constant	7.5 / 5,531	320 / 704	6 - 11 / 13,200 - 24,200

Standardpackage: TR11NOX, upper bracket direct mount, quick coupler system S-Lock, NOX-Control NOXProp+
Other adapter, quick coupler & control systems on request.

Gripper module

Type	Opening (mm/in)	Closing force (kN/lbf)	Load capacity (kg/lbs)	Weight (from kg/lbs)
TRG11	644 / 25.4	10 / 2,200	500 / 1,100	77 / 169
F11H	644 / 25.4	10 / 2,200	500 / 1,100	131 / 288

Package consists of: gripper / gripper with integrated adapter
Other adapter systems on request.

Profile buckets

Type	Bucket types	Width (mm/in)	Volume (liter/c.y.)	Weight (kg/lbs)
SKK12-250	trench bucket	300 / 12	250 / 0.327	110 / 243
SKD10-200	digging bucket	450 / 18	200 / 0.262	130 / 287
SKD10-270	digging bucket	600 / 24	270 / 0.353	160 / 353
SKD10-395	digging bucket	900 / 36	395 / 0.517	220 / 485
SKP12-475	grading bucket	1,300 / 52	475 / 0.621	280 / 617

Package consists of: grading bucket / cable bucket, adapter system S-Lock (S45)
Other bucket types, widths or volumes on request.

Levelling bars with roller

Type	Width (mm/in)	Weight (kg/lbs)	Operating weight (t/lbs)
AVB 8-1800	1,800 / 70.9	200 / 440	<8 / <17,600
AVB 8-2100	2,100 / 82.7	300 / 660	<8 / <17,600
AVB 8-2200	2,200 / 86.6	420 / 924	<8 / <17,600

Package consists of: levelling bar with roller, adapter system S-Lock (S50)
Other adapter systems on request.

Fork tines

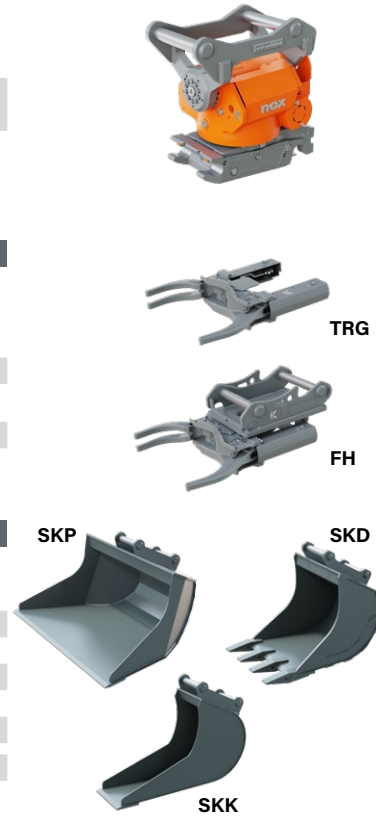
Type	Tine adjustment	Load capacity max. (kg/lbs)	Width (mm/in)	Weight (kg/lbs)	Operating weight (t/lbs)
GAF8	mechanical	1,900 / 4,180	1,200 / 47.2	190 / 418	6 - 8 / 13,200 - 17,600
GAH8	hydraulically	1,900 / 4,180	1,200 / 47.2	210 / 462	6 - 8 / 13,200 - 17,600
GAF12	mechanical	2,500 / 5,500	1,200 / 47.2	200 / 440	9 - 12 / 19,800 - 26,400
GAH12	hydraulically	2,500 / 5,500	1,200 / 47.2	220 / 484	9 - 12 / 19,800 - 26,400

Package consists of: fork tines, frame with adapter system S-Lock (S50)
Other adapter systems on request.

Cone crusher bucket

Type	Rotation torque (Nm/ft. lbs)	Speed range (rpm)	Drum diameter (mm/in)	Length (mm/in)	Weight (kg/lbs)	Operating weight (t/lbs)
Cone Crusher	6,320 - 10,112 / 4,661 - 7,458	36 - 100	600 / 26.6	1,300 / 51.2	376 / 827	3 - 10 / 6,600 - 22,000

Package consists of: cone crusher bucket
Optional adapter systems on request.



Demolition and sorting grabs with HPXdrive or hydraulic cylinder

Type	Width (mm/in)	Opening (mm/in)	Volume (liter/c.y.)	Weight (kg/lbs)	Operating weight (t/lbs)	Load capacity form locking (kg/lbs)	Closing force (kN/lbf)
D11TR-50 HPX	520 / 20.5	1,545 / 60.8	220 / 0.29	360 / 792	7 - 12 / 15,400 - 26,400	2,500 / 5,500	15.3 / 3,366
D11TR-50	520 / 20.5	1,665 / 65.6	165 / 0.22	305 / 671	7 - 12 / 15,400 - 26,400	2,500 / 5,500	24 / 5,280

Package consists of: demolition and sorting grab, hydraulic block for HPX, adapter system S-Lock (S50)

Available as an option: 4-Grip

Other adapter systems on request.

Multi purpose grabs with HPXdrive or hydraulic cylinder

Type	Width (mm/in)	Opening (mm/in)	Volume (liter/c.y.)	Weight (kg/lbs)	Operating weight (t/lbs)	Load capacity form locking (kg/lbs)	Closing force (kN/lbf)
A11TR-50 HPX	500 / 19.7	1,545 / 60.8	210 / 0.27	365 / 803	7 - 12 / 15,400 - 26,400	2,500 / 5,500	15.3 / 3,366
A11TR-50	500 / 19.7	1,650 / 65	175 / 0.23	310 / 682	7 - 12 / 15,400 - 26,400	2,500 / 5,500	25 / 5,500

Package consists of: multi purpose grab, hydraulic block for HPX, adapter system S-Lock (S50)

Available as an option: 4-Grip

Other adapter systems on request.

Clamshell buckets with HPXdrive

Type	Width (mm/in)	Opening (mm/in)	Volume (liter/c.y.)	Weight (kg/lbs)	Operating weight (t/lbs)	Load capacity form locking (kg/lbs)	Closing force (kN/lbf)
C11TR-40 HPX	400 / 15.8	1,250 / 49.2	145 / 0.19	265 / 583	5 - 11 / 11,000 - 24,200	3,000 / 6,600	22 / 4,840
C11TR-50 HPX	500 / 19.7	1,250 / 49.2	180 / 0.24	295 / 649	5 - 11 / 11,000 - 24,200	3,000 / 6,600	22 / 4,840
C11TR-60 HPX	600 / 23.6	1,250 / 49.2	220 / 0.29	315 / 693	5 - 11 / 11,000 - 24,200	3,000 / 6,600	22 / 4,840

Package consists of: clamshell bucket, hydraulic block for HPX, adapter system S-Lock (S50)

Other adapter systems on request.

4-Grip

Type	For grab types	Load capacity (kg/lbs)	Weight (kg/lbs)	Operating weight (t/lbs)
KM 685-05-D06/09-A06/09	D11TR & A11TR	900 / 1,980	28 / 61	<11 / <24,200

Multi-Grip

Type	Width (mm/in)	Opening (mm/in)	Volume (m ² /cord)	Weight (kg/lbs)	Operating weight (t/lbs)	Load capacity (kg/lbs)	Closing force (kN/lbf)
MG12	454 / 17.8	1,496 / 58.9	0.26 / 0.17	312 / 686	9 - 14 / 19,800 - 30,800	6,000 / 13,200	22 / 4,840

Package consists of: Multi-Grip, adapter system S-Lock (S50)

Other adapter systems on request.

Compactor wheel

Type	Diameter compactor wheel (mm/in)	Width compactor wheel (mm/in)	Weight (kg/lbs)	Operating weight (t/lbs)
KRC2-600	600 / 23.6	600 / 23.6	340 / 748	4 - 8 / 8,800 - 17,600
KRC3-600	700 / 27.6	600 / 23.6	360 / 792	8 - 14 / 17,600 - 30,800

Package consists of: compactor wheel

Optional adapter systems and other widths on request.

Note: Other attachments and adapters from other manufacturers on request

Note: Other attachments and adapters from other manufacturers on request

Tiltrotator TR14NOX

Type	Breakout force max. (ISO) (kN/lbf)	Tilt angle (°)	Tilt torque (kNm / ft. lbs) constant	Rotation torque (kNm / ft.lbs)	Weight (from kg / lbs)	Operating weight (t / lbs)
TR14NOX	110 / 24,200	2 x 50°	31 / 22,863	11 / 8,113	485 / 1,067	10 - 14 / 22,000 - 30,800

Standardpackage: TR14NOX, upper bracket direct mount, quick coupler system S-Lock, NOX-Control NOXProp+
Other adapter, quick coupler & control systems on request.

Gripper module

Type	Opening (mm/in)	Closing force (kN/lbf)	Load capacity (kg/lbs)	Weight (from kg/lbs)
TRG19	734 / 28.9	18.5 / 4,070	900 / 1,980	127 / 279
F19H	734 / 28.9	18.5 / 4,070	900 / 1,980	265 / 583

Package consists of: gripper / gripper with integrated adapter
Other adapter systems on request.

Profile buckets

Type	Bucket types	Width (mm/in)	Volume (liter/c.y.)	Weight (kg/lbs)
SKK14-300	trench bucket	500 / 20	300 / 0.392	140 / 309
SKD16-550	digging bucket	900 / 36	550 / 0.719	325 / 717
SKD16-610	digging bucket	1,000 / 42	610 / 0.798	380 / 838
SKP14-600	grading bucket	1,600 / 64	600 / 0.785	390 / 860

Package consists of: grading bucket / cable bucket, adapter system S-Lock (S60)
Other bucket types, widths or volumes on request.

Levelling bars with roller

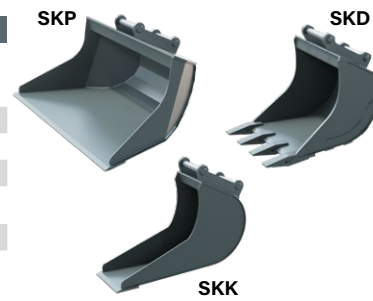
Type	Width (mm/in)	Weight (kg/lbs)	Operating weight (t/lbs)
AVB 24-2500	2,500 / 98.4	420 / 924	<24 / <52,800
AVB 24-2700	2,700 / 106.3	470 / 1,034	<24 / <52,800

Package consists of: levelling bar with roller, adapter system S-Lock (S60)
Other adapter systems on request.

Fork tines

Type	Tine adjustment	Load capacity max. (kg/lbs)	Width (mm/in)	Weight (kg/lbs)	Operating weight (t/lbs)
GAF18	mechanical	4,000 / 8,800	1,200 / 47.2	340 / 748	13 - 18 / 28,600 - 39,600
GAH18	hydraulically	4,000 / 8,800	1,200 / 47.2	340 / 748	13 - 18 / 28,600 - 39,600

Package consists of: fork tines, frame with adapter system S-Lock (S60)
Other adapter systems on request.



Demolition and sorting grabs

Type	Width (mm/in)	Opening (mm/in)	Volume (liter/c.y.)	Weight (kg/lbs)	Operating weight (t/lbs)	Load capacity (kg/lbs)	Closing force (kN/lbf)
D14TR-60	600 / 23.6	1,555 / 61.2	260 / 0.34	400 / 880	11 - 14 / 24,200 - 30,800	3,000 / 6,600	30 / 6,600

Package consists of: demolition and sorting grab, adapter system S-Lock (S60)
Other adapter systems on request.

Multi purpose grabs

Type	Width (mm/in)	Opening (mm/in)	Volume (liter/c.y.)	Weight (kg/lbs)	Operating weight (t/lbs)	Load capacity (kg/lbs)	Closing force (kN/lbf)
A14TR-60	600 / 23.6	1,890 / 74.4	260 / 0.34	510 / 1,122	11 - 14 / 24,200 - 30,800	3,000 / 6,600	30 / 6,600

Package consists of: multi purpose grab, adapter system S-Lock (S60)
Other adapter systems on request.

Clamshell bucket

Type	Width (mm/in)	Opening (mm/in)	Volume (liter/c.y.)	Weight (kg/lbs)	Operating weight (t/lbs)	Load capacity (kg/lbs)	Closing force (kN/lbf)
C14TR-60	600 / 23.6	1,645 / 64.7	245 / 0.32	510 / 1,122	11 - 14 / 24,200 - 30,800	4,500 / 9,900	39 / 8,580

Package consists of: clamshell bucket, adapter system S-Lock (S60)
Other adapter systems on request.

Multi-Grip

Type	Width (mm/in)	Opening (mm/in)	Volume (m²/cord)	Weight (kg/lbs)	Operating weight (t/lbs)	Load capacity (kg/lbs)	Closing force (kN/lbf)
MG16	531 / 20.9	1,822 / 71.7	0,36 / 0.24	474 / 1,043	12 - 18 / 26,400 - 39,600	8,000 / 17,600	27 / 5,940

Package consists of: Multi-Grip, adapter system S-Lock (S60)
Other adapter systems on request.

Compactor wheel

Type	Diameter compactor wheel (mm/in)	Width compactor wheel (mm/in)	Weight (kg/lbs)	Operating weight (t/lbs)
KRC3-600	700 / 27.6	600 / 23.6	360 / 792	8 - 14 / 17,600 - 30,800

Package consists of: compactor wheel
Optional adapter systems and other widths on request.

Tiltrotator TR19NOX

Type	Breakout force max. (ISO) (kN/lbf)	Tilt angle (°)	Tilt torque (kNm / ft. lbs)	Rotation torque (kNm / ft.lbs)	Weight (from kg / lbs)	Operating weight (t / lbs)
TR19NOX	150 / 33,000	2 x 50°	40.5 / 29,869 constant	12 / 8,850	580 / 1,267	14 - 19 / 30,800 - 41,800

Standardpackage: TR19NOX, upper bracket direct mount, quick coupler system S-Lock, NOX-Control NOXProp+
Other adapter, quick coupler & control systems on request.

Gripper module

Type	Opening (mm/in)	Closing force (kN/lbf)	Load capacity (kg/lbs)	Weight (from kg/lbs)
TRG19	734 / 28.9	18.5 / 4,070	900 / 1,980	127 / 279
F19H	734 / 28.9	18.5 / 4,070	900 / 1,980	165 / 363
RR-TRG19	822 / 32.4	30.1 / 6,622	5,000 / 11,000	170 / 374

Package consists of: gripper / gripper with integrated adapter
Other adapter systems on request.

Profile buckets

Type	Bucket types	Width (mm/in)	Volume (liter/c.y.)	Weight (kg/lbs)
SKK22-400	trench bucket	600 / 24	400 / 0.523	285 / 628
SKD18-700	digging bucket	900 / 36	700 / 0.916	440 / 970
SKD18-770	digging bucket	1,000 / 42	770 / 1,007	495 / 1,091
SKP18-750	grading bucket	1,700 / 64	750 / 0.981	380 / 838

Package consists of: grading bucket / cable bucket, adapter system S-Lock (S60)
Other bucket types, widths or volumes on request.

Levelling bars with roller

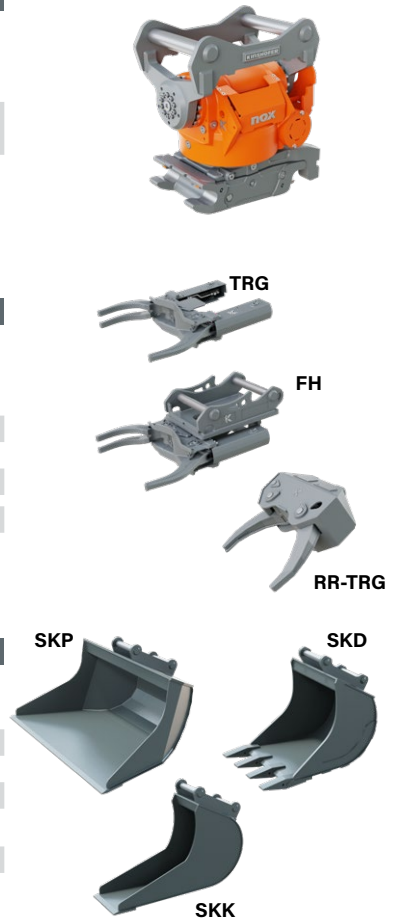
Type	Width (mm/in)	Weight (kg/lbs)	Operating weight (t/lbs)
AVB 24-2500	2,500 / 98.4	420 / 924	<24 / <52,800
AVB 24-2700	2,700 / 106.3	470 / 1,034	<24 / <52,800

Package consists of: levelling bar with roller, adapter system S-Lock (S60)
Other adapter systems on request.

Fork tines

Type	Tine adjustment	Load capacity max. (kg/lbs)	Width (mm/in)	Weight (kg/lbs)	Operating weight (t/lbs)
GAF18	mechanical	4,000 / 8,800	1200 / 47.2	340 / 748	13 - 18 / 28,600 - 39,600
GAH18	hydraulically	4,000 / 8,800	1200 / 47.2	340 / 748	13 - 18 / 28,600 - 39,600
GAF20	mechanical	4,000 / 8,800	1200 / 47.2	420 / 924	19 - 20 / 41,800 - 44,000
GAH20	hydraulically	4,000 / 8,800	1200 / 47.2	420 / 924	19 - 20 / 41,800 - 44,000

Package consists of: fork tines, frame with adapter system S-Lock (S60)
Other adapter systems on request.



Demolition and sorting grabs

Type	Width (mm/in)	Opening (mm/in)	Volume (liter/c.y.)	Weight (kg/lbs)	Operating weight (t/lbs)	Load capacity (kg/lbs)	Closing force (kN/lbf)
D19TR-60	600 / 23.6	1550 / 61	225 / 0.29	450 / 990	14 - 19 / 30,800 - 41,800	4000 / 8,800	32 / 7,040
D19TR-80	800 / 31.5	1550 / 61	300 / 0.39	500 / 1,100	14 - 19 / 30,800 - 41,800	4000 / 8,800	27 / 5,940
D19TR-100	1000 / 39.4	1870 / 73.6	500 / 0.65	595 / 1,309	14 - 19 / 30,800 - 41,800	4000 / 8,800	25 / 5,500

Package consists of: demolition and sorting grab, adapter system S-Lock (S60)
Other adapter systems on request.

Multi purpose grabs

Type	Width (mm/in)	Opening (mm/in)	Volume (liter/c.y.)	Weight (kg/lbs)	Operating weight (t/lbs)	Load capacity (kg/lbs)	Closing force (kN/lbf)
A19TR-60	600 / 23.6	1,900 / 74.8	300 / 0.39	570 / 1,254	14 - 19 / 30,800 - 41,800	4,000 - 8,800	27 / 5,940

Package consists of: multi purpose grab, adapter system S-Lock (S60)
Other adapter systems on request.

Clamshell bucket

Type	Width (mm/in)	Opening (mm/in)	Volume (liter/c.y.)	Weight (kg/lbs)	Operating weight (t/lbs)	Load capacity (kg/lbs)	Closing force (kN/lbf)
C19TR-60	600 / 23.6	1,655 / 65.1	245 / 0.32	575 / 1,262	14 - 19 / 30,800 - 41,800	4,500 / 9,900	42 / 9,240

Package consists of: clamshell bucket, adapter system S-Lock (S60)
Other adapter systems on request.

Multi-Grip

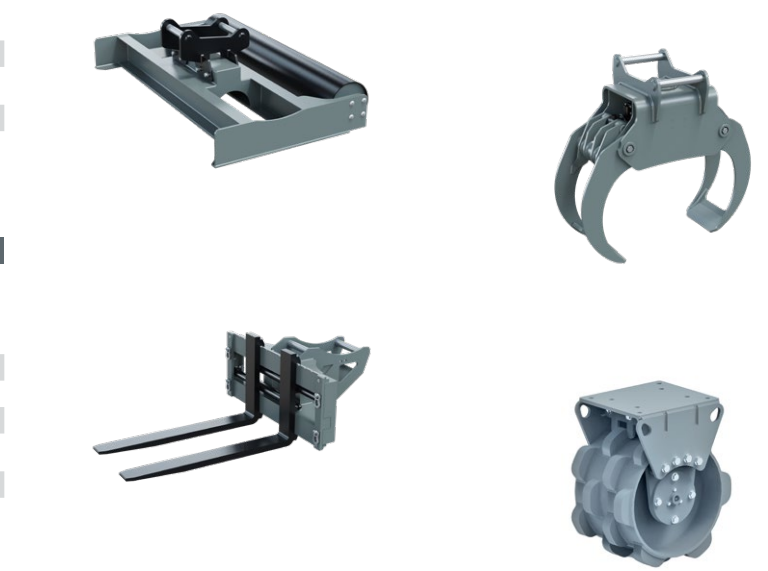
Type	Width (mm/in)	Opening (mm/in)	Volume (m ² /cord)	Weight (kg/lbs)	Operating weight (t/lbs)	Load capacity (kg/lbs)	Closing force (kN/lbf)
MG16	531 / 20.9	1,822 / 71.7	0.36 / 0.24	474 / 1,043	12 - 18 / 26,400 - 39,600	8,000 / 17,600	27 / 5,940
MG20	531 / 20.9	2,279 / 89.7	0.52 / 0.35	560 / 1,232	16 - 22 / 35,200 - 48,400	10,000 / 22,000	33 / 7,260

Package consists of: Multi-Grip, adapter system S-Lock (S60)
Other adapter systems on request.

Compactor wheel

Type	Diameter compactor wheel (mm/in)	Width compactor wheel (mm/in)	Weight (kg/lbs)	Operating weight (t/lbs)
KRC4-600	1000 / 39.4	600 / 23.6	800 / 1,760	14 - 20 / 30,800 - 44,000

Package consists of: compactor wheel
Optional adapter systems and other widths on request.



Tiltrotator TR25NOX

Type	Breakout force max. (ISO) (kN/lbf)	Tilt angle (°)	Tilt torque (kNm / ft. lbs)	Rotation torque (kNm / ft.lbs)	Weight (from kg / lbs)	Operating weight (t / lbs)
TR25NOX	170 / 37,400	2 x 50°	51,7 / 38,129 constant	15 / 11,063	860 / 1,892	19 - 25 / 41,800 - 55,000

Standardpackage: TR25NOX, upper bracket direct mount, quick coupler system S-Lock, NOX-Control NOXProp+
Other adapter, quick coupler & control systems on request.

Gripper module

Type	Opening (mm/in)	Closing force (kN/lbf)	Load capacity (kg/lbs)	Weight (from kg/lbs)
TRG25	1137 / 44.8	19.5 / 4,290	1300 / 2,860	224 / 493
F25H	1137 / 44.8	19.5 / 4,290	1300 / 2,860	265 / 583
RR-TRG25	822 / 32.4	30.1 / 6,622	5,000 / 11,000	187 / 411

Package consists of: gripper / gripper with integrated adapter

Other adapter systems on request.

Profile buckets

Type	Bucket types	Width (mm/in)	Volume (liter/c.y.)	Weight (kg/lbs)
SKK22-400	trench bucket	600 / 24	400 / 0,523	320 / 705
SKD20-850	digging bucket	900 / 36	850 / 1,112	550 / 1,213
SKD22-1100	digging bucket	1,000 / 42	1,100 / 1,439	850 / 1,874
SKP22-1100	grading bucket	1,800 / 72	1,100 / 1,439	460 / 1,014

Package consists of: grading bucket / cable bucket, adapter system S-Lock (S70)

Other bucket types, widths or volumes on request.

Levelling bars with roller

Type	Width (mm/in)	Weight (kg/lbs)	Operating weight (t/lbs)
AVB 24-2500	2,500 / 98.4	420 / 924	<24 / <52,800
AVB 24-2700	2,700 / 106.3	470 / 1,034	<24 / <52,800

Package consists of: levelling bar with roller, adapter system S-Lock (S70)

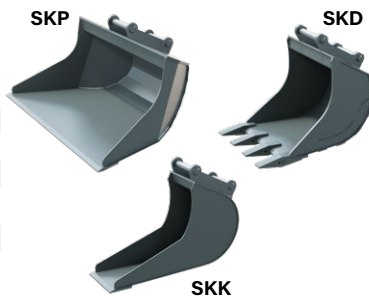
Other adapter systems on request.

Fork tines

Type	Tine adjustment	Load capacity max. (kg/lbs)	Width (mm/in)	Weight (kg/lbs)	Operating weight (t/lbs)
GAF20	mechanical	4,000 / 8,800	1,200 / 47.2	420 / 924	19 - 20 / 41,800 - 44,000
GAH20	hydraulically	4,000 / 8,800	1,200 / 47.2	420 / 924	19 - 20 / 41,800 - 44,000
GAF24	mechanical	4,000 / 8,800	1,200 / 47.2	440 / 968	21 - 24 / 46,200 - 52,800
GAH24	hydraulically	4,000 / 8,800	1,200 / 47.2	440 / 968	21 - 24 / 46,200 - 52,800

Package consists of: fork tines, frame with adapter system S-Lock (S70)

Other adapter systems on request.



Demolition and sorting grabs

Type	Width (mm/in)	Opening (mm/in)	Volume (liter/c.y.)	Weight (kg/lbs)	Operating weight (t/lbs)	Load capacity (kg/lbs)	Closing force (kN/lbf)
D25TR-84	840 / 33.1	1,890 / 74.4	380 / 0.50	725 / 1,595	18 - 25 / 39,600 - 55,000	5,000 / 11,000	42 / 9,240
D25TR-100	1,000 / 39.4	1,890 / 74.4	450 / 0.59	770 / 1,694	18 - 25 / 39,600 - 55,000	5,000 / 11,000	42 / 9,240

Package consists of: demolition and sorting grab, adapter system S-Lock (S70)

Other adapter systems on request.

Multi purpose grabs

Type	Width (mm/in)	Opening (mm/in)	Volume (liter/c.y.)	Weight (kg/lbs)	Operating weight (t/lbs)	Load capacity (kg/lbs)	Closing force (kN/lbf)
A25TR-70	700 / 26.6	2,038 / 80.2	400 / 0.52	815 / 1,793	18 - 25 / 39,600 - 55,000	5,000 / 11,000	38 / 8,360

Package consists of: multi purpose grab, adapter system S-Lock (S70)

Other adapter systems on request.

Multi-Grip

Type	Width (mm/in)	Opening (mm/in)	Volume (m ² /cord)	Weight (kg/lbs)	Operating weight (t/lbs)	Load capacity (kg/lbs)	Closing force (kN/lbf)
MG20	531 / 20.9	2,279 / 89.7	0.52 / 0.35	560 / 1,232	16 - 22 / 35,200 - 48,400	10,000 / 22,000	33 / 7,260

Package consists of: Multi-Grip, adapter system S-Lock (S60)

Other adapter systems on request.

Compactor wheel

Type	Diameter compactor wheel (mm/in)	Width compactor wheel (mm/in)	Weight (kg/lbs)	Operating weight (t/lbs)
KRC4-800	1,000 / 39.4	800 / 31.5	900 / 1,980	14 - 20 / 30,800 - 44,000

Package consists of: compactor wheel

Optional adapter systems and other widths on request.

Mechanic Quick Couplers KMS-S

Type	Locking	Weight (kg / lbs)	Operating weight (t / lbs)
KMS30S-150	mechanic	18 / 40	0.5 - 2 / 1,100 - 4,400
KMS30S-180	mechanic	18 / 40	0.5 - 2 / 1,100 - 4,400
KMS40S	mechanic	50 / 121	2 - 6 / 4,400 - 13,200
KMS45S	mechanic	90 / 198	6 - 11 / 13,200 - 24,200
KMS50S	mechanic	88 / 194	6 - 11 / 13,200 - 24,200
KMS60S	mechanic	181 / 398	10 - 18 / 22,000 - 39,600
KMS70S	mechanic	298 / 656	18 - 30 / 39,600 - 66,000

Package consists of: mechanic quick coupler, socket



Hydraulic Quick Couplers KHS-S

Type	Locking	Weight (kg / lbs)	Operating weight (t / lbs)
KHS30S-150	mechanic	15 / 33	0.5 - 2 / 1,100 - 4,400
KHS30S-180	mechanic	15 / 33	0.5 - 2 / 1,100 - 4,400
KHS40S	mechanic	50 / 121	2 - 6 / 4,400 - 13,200
KHS45S	mechanic	90 / 198	6 - 11 / 13,200 - 24,200
KHS50S	mechanic	88 / 194	6 - 11 / 13,200 - 24,200
KHS60S	mechanic	183 / 403	10 - 18 / 22,000 - 39,600
KHS70S	mechanic	300 / 660	18 - 30 / 39,600 - 66,000

Package consists of: hydraulic quick coupler



Installation sets for hydraulic quick couplers KHS-S

Type	Description
KHS03L HD-KHS08L installation set safety	incl. KHS control unit
KHS03L HD-KHS08L installation set basic	incl. unlockable flip switch (hold to run)



Accessories

Type	Description	Operating weight (t / lbs)
KM 685 06 KSW01 hook	load hook for KMS / KHS30S	1 / 2,200
KM 685 06 KSW03 hook 3t	load hook for KMS / KHS40S	3 / 6,600
KM 685 06 KSW08 hook	load hook for KMS / KHS45S & KMS / KHS50S	5 / 11,000
KM 685 06 KSW10 hook	load hook for KMS / KHS60S	8 / 17,600
KM 685 06 KSW21 hook	load hook for KMS / KHS70S	10 / 22,000



Requirements of carrier machine for KHS-S

	KHS30S / KHS40S / KHS45S / KHS50S	KHS60S / KHS70S (bar / psi)
Operating pressure (to be set at excavator):	-	160 - 300 / 2,320 - 4,350
Hydraulic system:	one double-acting hydraulic circuit	one double-acting hydraulic circuit with safety switch (permanent pressure close)
Note:	excavator needs to be equipped with quick coupler control	

Warranty Policy

KINSHOFER NORTH AMERICA

KINSHOFER warrants its products against defects in material and workmanship for a period of two years from the date its products are available for shipment to the original purchaser.

No responsibility will be assumed by KINSHOFER for repairs or parts other than those provided or supplied by KINSHOFER.

This warranty is limited to the replacement of parts or repair of parts, if repairs are authorized by KINSHOFER.

It does not cover damages or defects due to normal wear and tear, misuse, alteration or neglect.

KINSHOFER warrants that the products shall be delivered free of any claims of any third person by way of infringement, unless specifications are provided by the purchaser in which event the purchaser, holds KINSHOFER harmless against any claims which arise out of compliance with purchaser's specifications.

No other warranty is expressed or implied and KINSHOFER assumes no responsibility for consequential damages arising from the failure of the products for any reason whatsoever, nor does it extend any warranty for any damages, whatsoever, for improper storage or handling by purchaser prior to placing into service.

The purchaser shall determine the suitability for the product, for its use, and purchaser assumes all risks and liabilities in connection therewith.

Returned Goods Policy

KINSHOFER NORTH AMERICA

Upon written authorization, KINSHOFER products can be returned for credit, provided merchandise is unused and complete.

The customer pays freight back and a credit will be issued to the customer account upon satisfactory receipt and inspection of the returned products.

No return can be processed without the issuance of an RMA number by KINSHOFER.

A 25% restocking fee will apply to all non-warranty related returns.

Warnings and Cautions

KINSHOFER NORTH AMERICA

Ensure the correct equipment is obtained and installed for the application. Ratings shown in KINSHOFER literature are applicable only to new products.

Working load limits (load capacity) shown are the maximum load the product is authorized to support under normal environmental conditions.

Shock loading and abnormal conditions must be taken into account when selecting products.

Working load limits or safety factors for each KINSHOFER product may be affected by wear, misuse or environmental conditions.

Regular inspections must be conducted to ensure the equipment continues to meet the most current revision of the published standard.

Welding to any KINSHOFER products can be hazardous and should only be implemented after written permission from KINSHOFER.

KINSHOFER products are sold on the strict understanding that all product selection is the full responsibility of the purchaser.

KINSHOFER accepts no liability for the use, misuse or incorrect application of its products.



Order **NOX**

Offer **NOX**

page 1/2
version 2023-V1

Please fill out completely and send to info@kinshofer.com or Fax +49 (0)8021 8899 37

CLIENT/DEALER DATA

Client/Dealer:
 Street:
 ZIP/City:
 Country:
 Customer no.:

Date:
 Contact:
 Email:
 Tel.:
 Fax:

In case of order: Delivery address same as above

Client/Dealer:
 Street:
 ZIP:

Contact:
 City:
 Country:

EXCAVATOR/CARRIER MACHINE INFORMATION

Manufacturer:
 Year of construction:
 Type: tracked wheeled
 Control: shield control wheel/track control

Model:
 Operating weight:
 Voltage: 12V 24V
 Drive selector switch: left right

JOYSTICK INFORMATION (only required for NOXProp & NOXProp+)

NOXProp standard design



Front



Back

Please select roller/button combination:



Standard design
2x prop roller; 7x s/w buttons

left right



F-N-R
2x prop roller; 6x s/w buttons; 1x drive selector switch

left right



add. prop
3x prop roller; 5x s/w buttons

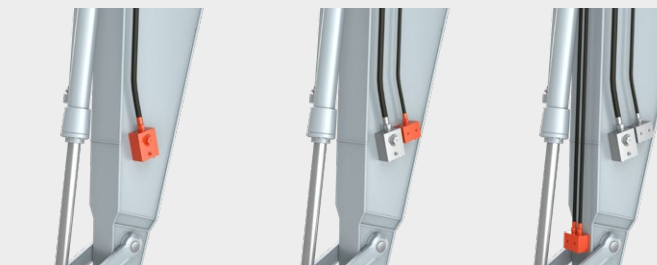
left right



add. prop & F-N-R
3x prop roller; 4x s/w buttons; 1x drive selector switch

left right

HYDRAULIC INFORMATION (Please fill in completely)



Hammer/shear (free return line) Grab rotation Quick coupler

If additional circuits are existing, please specify:
e.g. tilt circuit, etc.

Additional hydraulic circuit 1:

Additional hydraulic circuit 2:

Other:

Drain line: left right



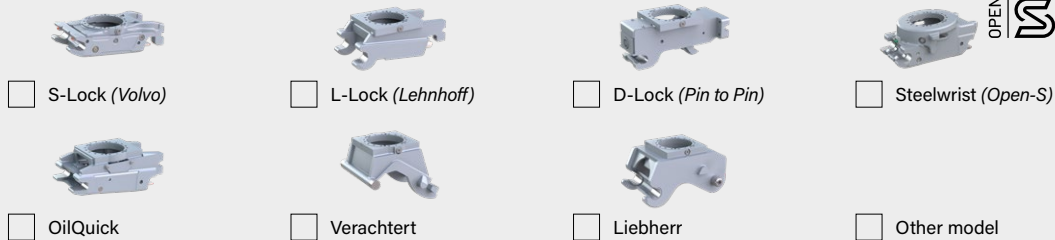
NOX TILTROTATOR CONFIGURATION

NOX Tiltrotator type:

- TR045NOX (2.5-4.5t)
- TR07NOX (4-7t)
- TR11NOX (6-11t)
- TR14NOX (10-14t)
- TR19NOX (14-19t)
- TR25NOX (19-25t)

Lower quick coupler:

- mechanic
- hydraulic
- fully hydraulic



Type of quick coupler:

Options:

- with lifting hook
- without lifting hook
- Gripper (hydraulic gripping unit)

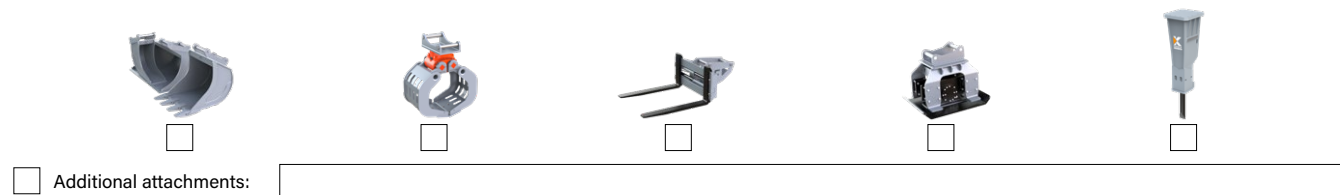
FLOW CAPACITIES FOR HYDRAULIC ATTACHMENTS ON EXTRA 1

- Standard Flow (70 l/min)
- High Flow (120/150 l/min) (available for TR14/TR19/TR25)
- CSP PowerLine
- Electric rotary feedthrough

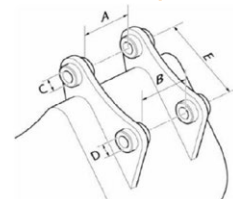
Rotation sensor: yes

Machine control system: Leica Trimble Topcon Moba Other:

WHICH ATTACHMENT SHOULD BE USED WITH THE NOX TILTROTATOR?



EXCAVATOR-/MASCHINE SPECIFICATIONS



Upper (dipper)

A (mm):	<input type="text"/>
B (mm):	<input type="text"/>
C (mm):	<input type="text"/>
D (mm):	<input type="text"/>
E (mm):	<input type="text"/>

Lower (bucket) Same specs as upper

A (mm):	<input type="text"/>
B (mm):	<input type="text"/>
C (mm):	<input type="text"/>
D (mm):	<input type="text"/>
E (mm):	<input type="text"/>

INSTALLATION

KINSHOFER / authorized service partner:

Company:

Installer:

Tel.:

By customer:

Company:

Installer:

Tel.:



KINSHOFER Branches

Hauptsitz Deutschland:
KINSHOFER GmbH
Raiffeisenstrasse 12
83607 Holzkirchen
Tel.: +49 (0) 8021 88 99 0
Email: info@kinshofer.com
www.kinshofer.com

United Kingdom:
KINSHOFER UK Ltd.
Shipton Downs Farm
Hazleton
Cheltenham, Gloucestershire, GL54 4DX
Tel.: +44 (0) 161 406 7046
Fax: +44 (0) 161 406 7014
Email: sales-uk@kinshofer.com
www.kinshofer.com

France:
KINSHOFER France S.A.R.L.
8 Bis, rue Gabriel Voisin, CS 40003
F-51688 Reims Cedex 2
Tel.: +33 (0) 3 88 39 55 00
Fax: +33 (0) 3 88 79 06 75
Email: sales-france@kinshofer.com
www.kinshofer.com

Canada:
KINSHOFER North America
5040 Mainway Drive, Unit #11
Burlington, ON L7L 7G5
Tel.: +1 (905) 335-2856
Fax: +1 (905) 335-4529
Toll Free (North America): 1-800-268-9525
Email: sales-northamerica@kinshofer.com
www.kinshofer.com

United States of America:
KINSHOFER USA
6420 Inducon Drive
Suite G
Sanborn, NY, 14132
Tel.: +1 (716) 731-4333
Toll Free (North America): 1-800-268-9525
Email: sales-usa@kinshofer.com
www.kinshofer.com



KINSHOFER Subsidiaries

Nederland:
DEMAREC B.V.
De Hork 32
NL-5431 NS Cuijk
Tel.: +31 (0) 485 442300
Fax: +31 (0) 485 442120
info@demarec.com
www.demarec.com

Sverige:
RF System AB
Furutorpsgatan 6
SE-288 34 Vinslöv
Tel.: +46 (0) 44 817 07
Fax: +46 (0) 44 859 63
Email: info@rf-system.se
www.rf-system.se

United Kingdom:
Auger Torque Europe Limited
Hazleton
Cheltenham, GL54 4DX
Tel.: +44 (0) 1451 861 652
Fax: +44 (0) 1451 861 660
Email: sales@augertorque.com
www.augertorque.com

Australia:
Auger Torque Australia Pty Ltd.
481 Boundary Road, Darra
Queensland 4076
Tel.: +61 (0) 7 3274 2077
Fax: +61 (0) 7 3274 5077
Email: sales@augertorque.com.au
www.augertorque.com.au

Australia:
Doherty Couplers & Attachments Ltd.
PO Box 701,
Annerley (Brisbane) QLD, 4103
Tel.: +61 1 800 057 021
Email: sales@dohertydirect.net
www.dohertydirect.net

New Zealand:
Doherty Engineered Attachments Ltd.
PO Box 9339, Greerton
Tauranga 3142
Tel.: +64 7 574 3000
Fax: +64 7 574 8030
Email: sales@dohertydirect.net
www.dohertydirect.net

United States of America:
Solesbee's LLC
2640 Jason Industrial Parkway
Winston, GA 30187
Toll Free (North America): 1-800-419-8090
Email: sales@solesbees.com
www.solesbees.com

中国:
Auger Torque China CO., Ltd.
Baoshan Rd, Tongyi Industry Zone
Dongwu, Yinzhou, Ningbo
China 315114
Tel.: + 86 (0) 574 8848 8181
Fax: + 86 (0) 574 8848 8687
Email: john.hu@attachmenttorque.com
www.augertorque.com

Italia:
Hammer S.r.l.
Via Oleifici dell' Italia Meridionale,
lotto G1
IT-70056 Molfetta BA
Tel.: +39 080 337 5317
Email: info@hammerurope.com
www.hammereurope.com

Italia:
Cangini Benne S.r.l.
Via Savio, 29/31 47027
IT-70056 Sarsina FC
Tel.: +39 0547 698020
Fax: +39 0547 698021
Email: cangini@canginibenne.com
www.canginibenne.com

Italia:
Trevi Benne S.p.A.
Via Bergoncino, 18
IT-36025 Noventa Vicentina VI
Tel.: +39 0444 760773
Fax: +39 0444 861182
Email: info@trevibenne.it
www.trevibenne.it

United Kingdom:
Prolec
25 Benson Road,
Nuffield Industrial Estate
Poole, BH17 0GB
Tel.: +44 1202 441 000
Email: enquiries@prolec.co.uk
prolec.co.uk

Deutschland:
HGT
Hydraulikgreifer-Technologie GmbH
Handorfer Weg 19
31241 Ilsede
Tel.: +49 (0) 5172 41 00 90
Email: info@hgt-greifer.de
www.hgt-greifer.de



KINSHOFER
GROUP