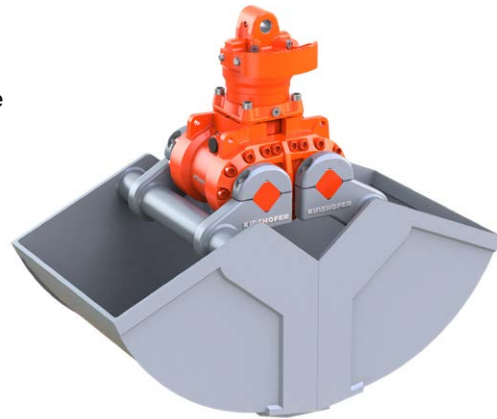


Universal clamshell bucket with the *HPXdrive* for compact excavators from 6t / 13,200lbs to 9t / 19,800lbs operating weight - low maintenance.

- ▷ ***HPXdrive* - the revolutionary concept for hydraulically operated grabs!**  
The rotation of the arms of the grab is generated by two hollow shafts, which run opposed and have a helix thread, hydraulically driven by a single piston. **No hydraulic cylinder required.**
- ▷ **50% longer life cycle.** The drive unit runs in a permanent oil bath - no lubrication necessary. Resistant against dirt and blows due to the compact design.
- ▷ **Constant closing forces** during the entire digging process (22 kN / 4,840 lbf at an internal operating pressure of 26 MPa / 3,770 psi; varies depending on width).
- ▷ Different applications possible thanks to **shell exchange system.**
- ▷ **Long life** is ensured due to the use of 500 HB steel in the manufacture of cutting edges.



## Clamshell Bucket C08HPX

Type	Width E (mm/in)	Opening A (mm/in)	Height C max. (mm/in)	Volume (liter/c.y.)	Number of teeth	Weight (kg/lbs)	Load capacity (kg/lbs)
C08HPX-40	400 / 15.7	1,250 / 49.2	960 / 37.7	145 / 0.19	4	280 / 616	3,000 / 6,600
C08HPX-45	450 / 17.7	1,250 / 49.2	960 / 37.7	160 / 0.21	4	295 / 649	3,000 / 6,600
C08HPX-50	500 / 19.6	1,250 / 49.2	960 / 37.7	180 / 0.24	4	300 / 660	3,000 / 6,600
C08HPX-60	600 / 23.6	1,250 / 49.2	960 / 37.7	220 / 0.29	6	320 / 704	3,000 / 6,600
C08HPX-80	800 / 31.4	1,250 / 49.2	960 / 37.7	300 / 0.39	6	340 / 748	3,000 / 6,600

**Package consists of:** clamshell bucket, bolt-on teeth, **KINSHOFER** rotator, non-return valve and hose protection

**Note:** exchangeable shells see page 50 in this catalog. Special shells on request

## KINSHOFER Rotator

Integrated in a single unit with the *HPXdrive*, no more connecting hoses. Continuous rotation. Overload protection ensured by pressure relief valves.

Type	Upper dimension (width x pin-Ø) (mm/in)	Torque (Nm/ft.lbs)	Bending moment max. (Nm/ft.lbs)
KM 04 F140-30USE	84 x 30 / 3.31 x 1.18	1,000 / 737	8,500 / 6,268

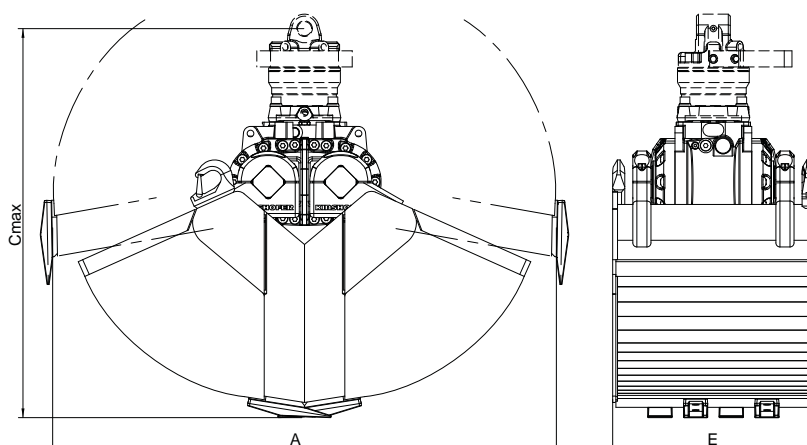
## Accessories

Type	Description
KM 501 1t-8t	upper suspension without pendulum damper
KM 511 1t-8t	upper suspension with pendulum damper
KM 510 1t-8t	single pendulum damper to upgrade the upper suspension KM 501 1t-8t / 2,200-17,600lbs
KSW08 cardanic	adapter for system L-Lock KMS08L/KHS08L incl. cardan link excl. pendulum damper - up to 12t / 26,400lbs
KSW08-1t-8t cardanic-P	adapter for system L-Lock KMS08L/KHS08L incl. cardan link incl. pendulum damper
	adapters for quick change systems from other manufacturers or different sizes on request
KM 680 5t-8t	scraper
KM 685 06E hook set 2	welded hooks (2 pcs.)
KM 685 07E set	wear plates to protect cutting edges
KM 685 08 HPX 450E	digging extension for channel construction - 450mm / 17.7in (60kg / 132lbs)

## Requirements of carrier machine

Operating pressure at pump capacity (open/close):	Operating pressure at pump capacity (rotate):
26 MPa (260 bar) at max. 75 l/min / 3,745 psi at max. 20 GPM	32 MPa (320 bar) at 15 - max. 50 l/min / 4,640 psi at 4 - max. 13 GPM
26 - 32 MPa (260 - 320 bar) at max. 40 l/min / 3,745 - 4,640 psi at max. 10.6 GPM	

## Technical drawings



free extension  
of warranty  
[kinshofer.com/service](http://kinshofer.com/service)