

Hydraulic hook KM 920-5 in different versions including Kinshofer rotator for tools and loads with ring system.

- ▷ **Low overall height** due to compact design.
- ▷ **Precise positioning** in combination with KINSHOFER rotator.
- ▷ The **safety load hook** is equipped with a hydraulic cylinder for opening/closing without opening unintentionally in a loaded condition.
- ▷ Suitable for the hydraulic suspension of pallet forks with vertical crane hook suspension or with additional hook (version B) for the fast and precise load suspension with e.g. tightropes, lashing straps, etc. and the following release of the loads (version C w/o additional hook).
- ▷ Including **integrated locking indicator**.
- ▷ Versions B **with switch valve/CEJN Multi-X-couplings**: for the hydraulic suspension and operation of universal forks and other hydraulic attachments with vertical crane hook suspension; with additional load hook by default.
- ▷ All versions can also open and empty containers with only one suspension opening (measurements container flap see drawing below).



here version B

KM 920-5 for tools and loads with ring system

Type	Width (in)	Load capacity (lbs)	Ring - Ø max. (in)	Height (w/rotator) (in)	Weight (lbs)	Operating pressure at oil flow
KM 920-5Bc	12.3	9,900	1.18	18.9	128	5,330 psi at 0.5 - max. 2.6 GPM
KM 920-5Cc	12	9,900	1.18	18.9	126	5,330 psi at 0.5 - max. 2.6 GPM

Package consists of: hydraulic hook (B incl. load hook; C excl. load hook), rotator KM 04 F, short connection hoses KM 203 01, upper suspension KM 501 4500, non-return valve

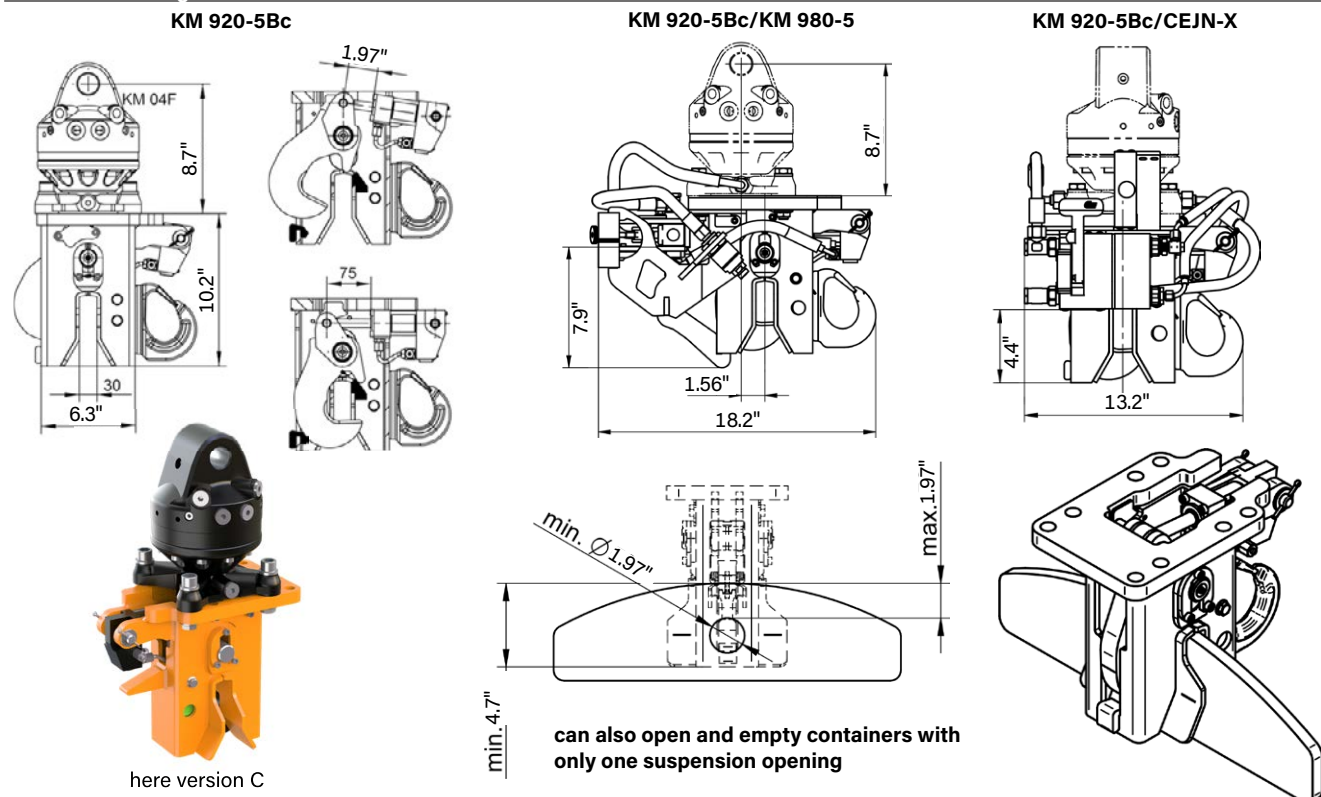
KM 920-5 with hook and switch valve / CEJN Multi-X-couplings

Type	Width (in)	Load capacity (lbs)	Ring - Ø max. (in)	Height (w/rotator) (in)	Weight (lbs)	Operating pressure at oil flow
KM 920-5Bc/KM 980-5	18.2	9,900	1.18	19.1	150	5,040 psi at 0.5 - max. 2.6 GPM
KM 920-5Bc/CEJN-X	13.2	9,900	1.18	18.9	152	5,040 psi at max. 21.1 GPM

Package consists of KM 920-5Bc/KM 980-5: hydraulic hook incl. load hook, rotator KM 04 F, switch valve, short connection hoses KM 203 01, upper suspension KM 501 4500, non-return valve

Package consists of KM 920-5Bc/CEJN-X: hydraulic hook incl. load hook, rotator KM 04 F, CEJN Multi-X DUO10 couplings (set), short connection hoses KM 203 01, upper suspension KM 501 4500, non-return valve

Technical drawings



here version C

Hydraulic hook KM 920-4 for containers and loads with ring system

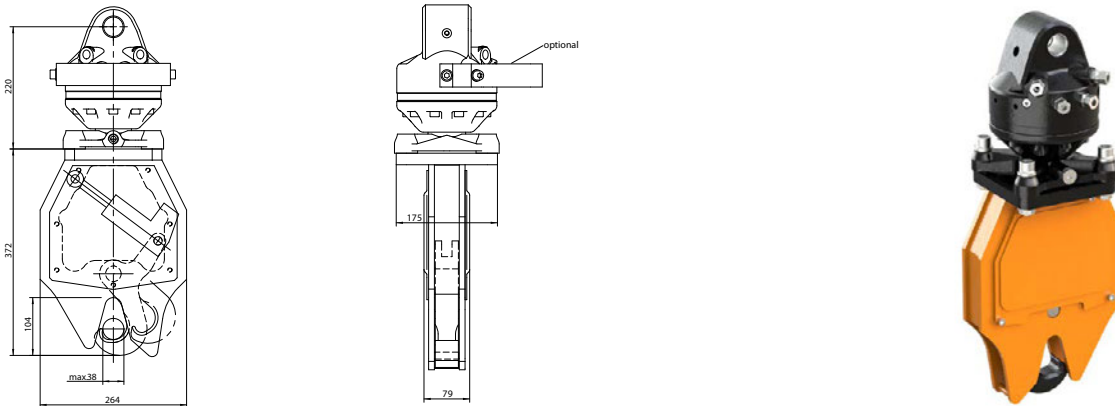
The hydraulic hook facilitates the fast and precise lifting and loosening of containers and loads with ring system.

- ▷ **Precise positioning** in combination with KINSHOFER rotator.
- ▷ **Low overall height** due to compact design.
- ▷ **Robust mechanics** with hydraulic cylinder (open/close).
- ▷ V-shaped cutout **facilitates ring suspension**.
- ▷ Rotator with vertical oil ducts, so **no open short hose** connections.

Type	Width (in)	Height (with motor) (in)	Ring - Ø max. (in)	Self weight (incl. motor) (lbs)	Load capacity max. (lbs)	Operating pressure at oil flow Mind the pressure!
KM 920-4c	10.4	23.3	1.5	101	5,500	2,880 psi at 0.5 - max. 2.6 GPM

Package consists of: hydraulic hook, rotator KM 04 F140-30V, upper suspension KM 501 4500, non-return valve

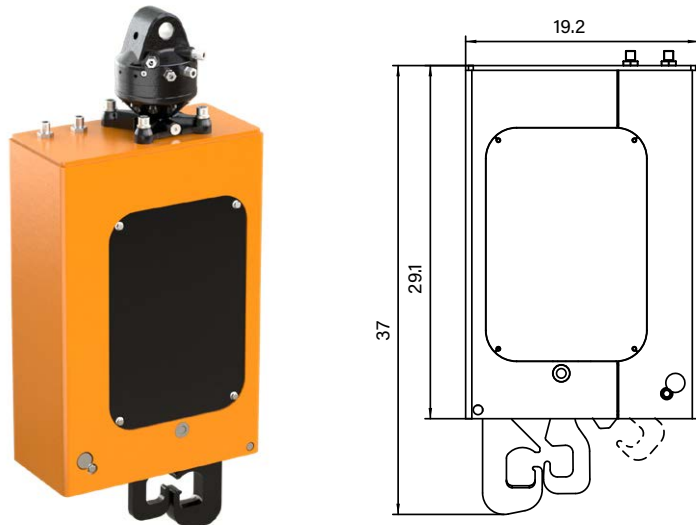
Technical drawings



KINSHOFER container discharge attachments with ring system or the fast KINSHOFER mushroom system are characterised by short cycle times and an attractive acquisition price. Containers can be emptied even faster and more cost effectively with a one-man operation.

Container discharge unit KM 920-1 with ring system / low overall height

- ▷ **Low overall height** due to compact design.
- ▷ **Extremely low maintenance and ecofriendly**, because no bearing has to be lubricated.
- ▷ **Hooks on automatically** when container is lifted.
- ▷ **Precise positioning** with KINSHOFER rotator.
- ▷ Protection against damage of container by **automatic lift stop**.
- ▷ Available with **two load capacities** (version A and B).



Type	max. Lift of the hook (in)	Load capacity (lbs)	Height (incl. rotator) (in)	Self weight* (lbs)	Operating pressure at oil flow
KM 920-1-Ac	19.7	9,900	45.7	383	5,040 psi at 10.6 GPM
KM 920-1-Bc	19.7	5,500	45.7	383	5,040 psi at 10.6 GPM

* incl. motor / excl. upper suspension & pendulum damper

Package consists of: container discharge unit, KINSHOFER-rotator KM 04 F, connecting tubes, upper suspension with pendulum damper KM 511 4500, non-return valve