



KINSHOFER
crane and excavator attachments

Wood Chips Grapple KM 602 Special

Special and Custom Solutions



193110/2009

The new wood chips grapple KM 602 Special is a combination of the already proven high volume clamshell bucket KM 602 and the robust logging grapple KM 634 by **KINSHOFER** - the ideal tool for loading and handling wood chips or light bulk cargo.

The grapple has a big volume while having a low self weight.

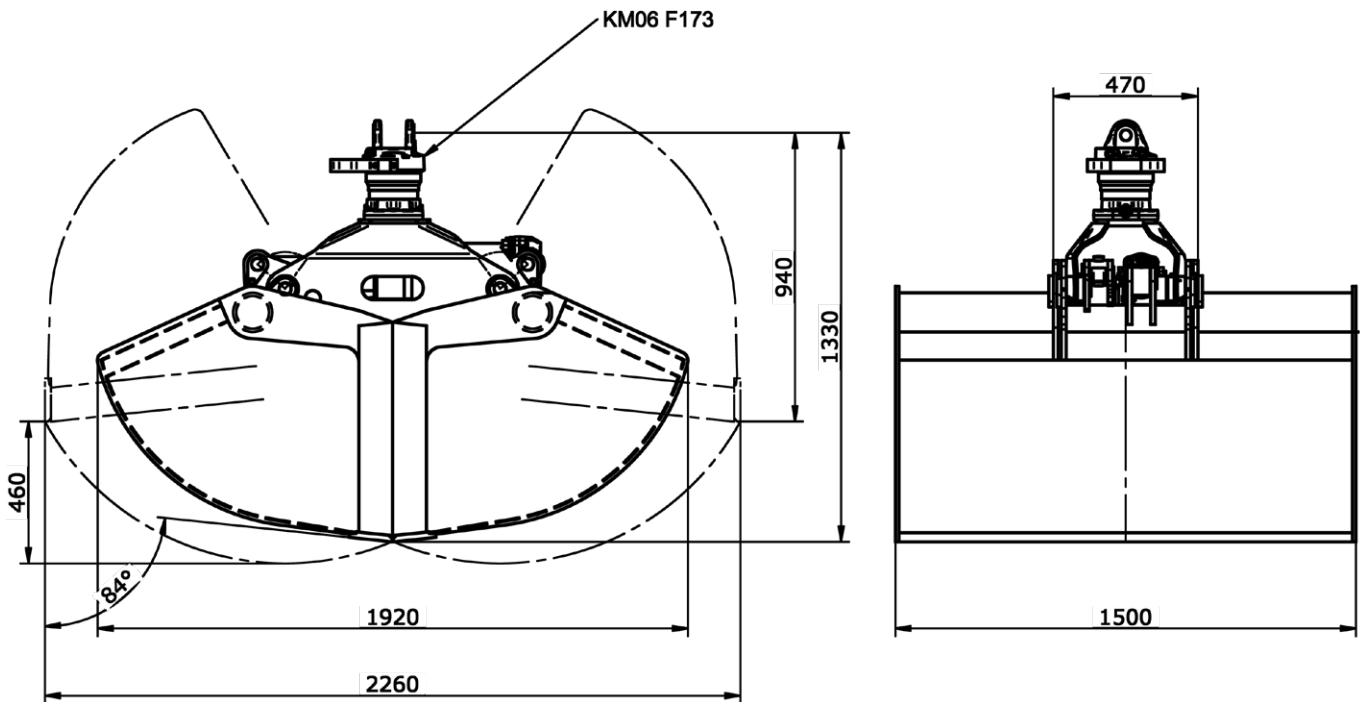
The mounted rotator with 6t loading capacity allows for a precise positioning of the load and is equipped additionally with a hose protection.

An integrated counter-balance valve guarantees a secure retention of loads and thus increases the working security.



TECHNICAL DATA:

Operating pressure:	24 MPa (240 bar) / 3,460 psi
Internal pressure:	24 MPa (240 bar) / 3,460 psi
Pump capacity:	40 - 75 l/min / 10.6 - 19.8 GPM
Load capacity:	2,000 kg / 4,400 lbs
Closing force:	23 kN / 5,060 lbf
Volume:	1,500 l / 1.9 c.y.
Weight:	550 kg / 1,210 lbs



We reserve the right to amend specifications without prior notice! **KINSHOFER** GmbH, D-83607 Holzkirchen, Germany

KINSHOFER Branches

Headquarters Germany:
KINSHOFER GmbH
 Raiffeisenstrasse 12
 83607 Holzkirchen
 Germany
 Tel.: +49 (0) 8021 88 99 0
 Email: info@kinshofer.com
 www.kinshofer.com



KINSHOFER is an
 ISO 9001 certified Company.
 DVS ZERT is a registered trademark
 of DVS ZERT e.V., Düsseldorf.

