

Thanks to the universal extensions for the pallet forks KM 401 (H), KM 414 and KM 415, the throat height of each of these types can be extended by 750 mm or 1200 mm respectively.

- ▷ **Fast mounting** due to easy positioning of the extension by lock pin between upper and lower part of the respective pallet fork.
- ▷ **Throat height adjustable in steps** with a lock pin. The general throat height can be extended by the extension but also removed easily.
- ▷ **Adjustable tine spread** and all other functions of the pallet forks remain untouched.
- ▷ **Ideally adjusted** to the respective load capacity/centre of gravity of the pallet fork.
- ▷ **Two lengths available:** 750 mm or 1200 mm.

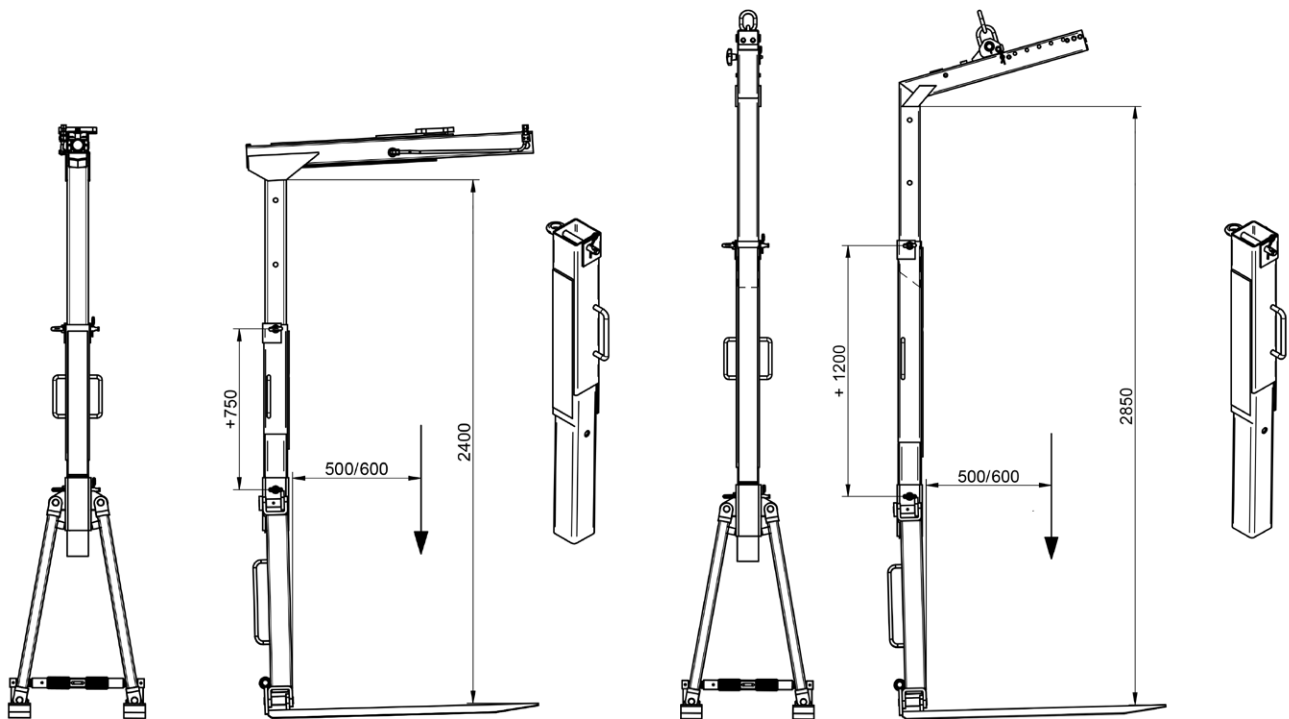


Extensions for pallet forks KM 460

Type	for Pallet forks KM 401 (H) / KM 414 / KM 415 load capacities / centres of gravity (kg/mm)	Extension for throat height by (mm)	Weight (only extension) (kg)
KM 460-750-500	2000/500	750	26
KM 460-750-600	2000/600 2500/500 / 2500/600	750	35
KM 460-1200-500	2000/500	1200	35
KM 460-1200-600	2000/600 2500/500 / 2500/600	1200	49

Package consists of: extension, lock pin

Technical drawings



Extension by 750 mm on KM 401 H (w/o rotator)

Extension by 1200 mm on KM 401