



KINSHOFER
crane and excavator attachments

Three-Finger-Grapple KM 634-0,30-Z3

Special and Custom Solutions



700062/2009

Three-Finger-Grapple

KM 634-0,30-Z3

The three-finger-grapple KM 634-0,30-Z3 is the ideal tool for loading choppers.

The high closing force is just one of many features as well as the low self-weight.

An integrated check valve guarantees the safe retention of loads and thus a secure operation.

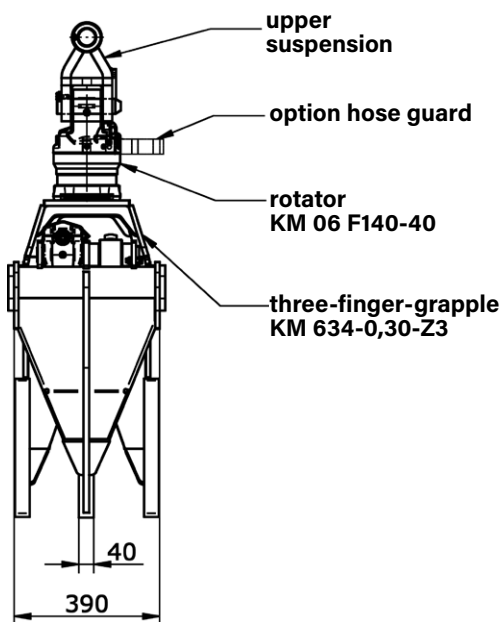
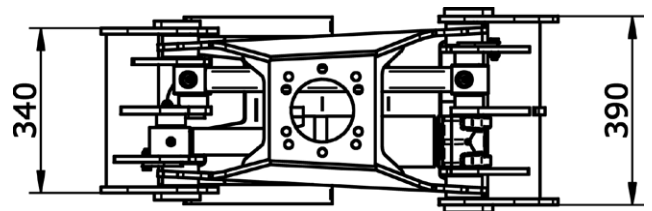
The tips of the tines are made of the highly wear resistant material Hardox 400 and extremely robust.

Thanks to the mounted rotator, a precise positioning of the grapple is no problem.

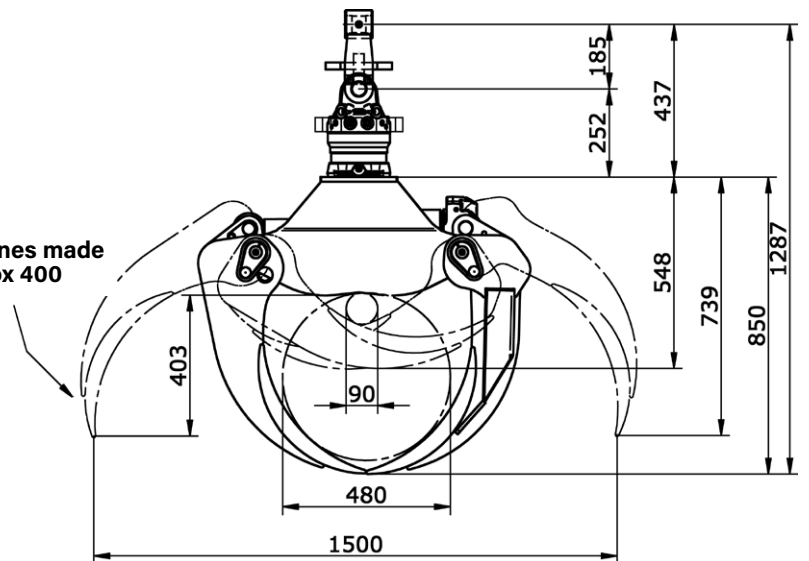


TECHNICAL DATA:

Operating pressure:	24 MPa (240 bar) / 3,456 psi
Pump capacity:	40 - 75 l/min / 10.6 - 19.8 GPM
Load capacity:	4,000 kg / 8,800 lbs
Closing force:	13 kN / 2,860 lbf
Volume:	0.30 m ² / 0.20 cords
Weight:	190 kg / 418 lbs



tips of tines made of Hardox 400



We reserve the right to amend specifications without prior notice! **KINSHOFER** GmbH, D-83607 Holzkirchen, Germany

KINSHOFER Branches

Headquarters Germany:
KINSHOFER GmbH
Raiffeisenstrasse 12
83607 Holzkirchen
Germany
Tel.: +49 (0) 8021 88 99 0
Email: info@kinshofer.com
www.kinshofer.com



KINSHOFER is an
ISO 9001 certified Company.
DVS ZERT is a registered trademark
of DVS ZERT e.V., Düsseldorf.

