

KM 414

Pallet Fork with tines adjustable by lock pin

The robust pallet fork KM 414 with manual centre of gravity compensation is an economic alternative.

- ▷ **Manual change of position of shifting collar** by the operator.
- ▷ **Suspension Ring** for KINSHOFER flange or shaft rotator, or for a crane hook is included in the package.
- ▷ **Throat height adjustable in steps** from 1050 mm to 1650 mm with a lock pin.
- ▷ **Tine spread adjustable in steps** from 345 mm to max. 975 mm with a lock pin.



Pallet fork KM 414

Type	Load capacity (kg)	Throat height N (min./max.) (mm)	Tine length (mm)	Tine spread Z (min./max.) (mm)	Tine dimensions (width x height) (mm)	Centre of gravity (mm)	Self weight (w/o rotator) (kg)
KM 414-2000-500	2000	1050 - 1650	980	345 - 940	100 x 35	500	150
KM 414-2500-500	2500	1050 - 1650	980	355 - 945	90 x 40	500	175
KM 414-2000-600	2000	1050 - 1650	1150	355 - 945	90 x 40	600	205
KM 414-2500-600	2500	1050 - 1650	1150	385 - 975	100 x 45	600	220

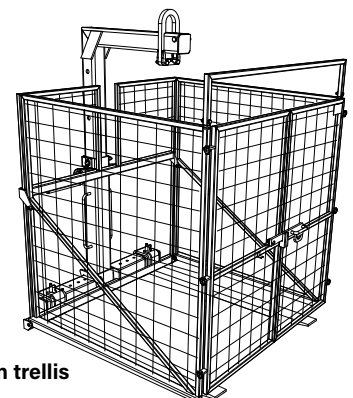
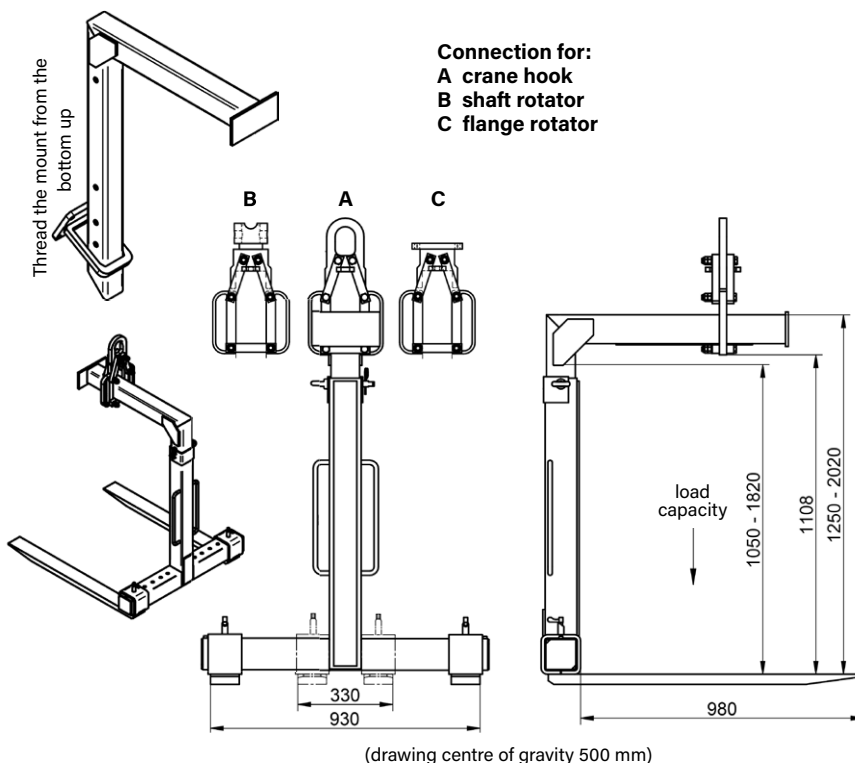
Package consists of: pallet fork, protection chain KM 460 01

Please note: a protection trellis or net is mandatory for loose material (EN 13155)

Accessories

Type	Description
KM 460 (1100x1100)	protection trellis for loads up to 2000 kg – dimensions: 1100x1100x1500mm
KM 460 (1300x1300)	protection trellis for loads up to 2000 kg – dimensions: 1300x1300x1500mm
KM 04 F	KINSHOFER flange rotator for precise positioning of the load – up to 4500 kg load capacity
KM 04 S	KINSHOFER shaft rotator for precise positioning of the load – up to 4500 kg load capacity
KM 505	quick change system for shaft-type rotators
KM 502 (4500)	reduction link between rotator and grapple
KM 460 04 (KM 04 S)	non-rotating hook for rotator KM 04 S

Technical drawings



KM 460 protection trellis

The protection trellis is used to secure loose loads handled with pallet forks KM 415 and KM414, e.g. brick packages, loose construction materials. When handling loose material, a protection trellis or net to secure the load, is obligatory (EN 13155). The maximum capacity is 2000 kg. The protection trellis can be mounted within a few minutes and is thus suitable for each construction site without any problems.